

Department of Engineering
Tim Bryan, P.E., County Engineer

3137 South Liberty Street, Canton, MS 39046
Office (601) 790-2525 FAX (601) 859-3430

MEMORANDUM

August 16, 2021

To: Sheila Jones, Supervisor, District I
Trey Baxter, Supervisor, District II
Gerald Steen, Supervisor, District III
Karl Banks, Supervisor, District IV
Paul Griffin, Supervisor, District V

From: Tim Bryan, P.E., PTOE
County Engineer

Re: Telepak Networks Inc. DBA Cspire Utility Permit
County Road Name, Gluckstadt Road

The Engineering Department recommends approval of permit application for Cspire proposes a directional bore along Gluckstadt Road to install fiber optic cable servicing the Mississippi Department of Revenue.

SHEILA JONES
District One

TREY BAXTER
District Two

GERALD STEEN
District Three

KARL BANKS
District Four

PAUL GRIFFIN
District Five

Revised: 2/14/2019



PERMIT APPLICATION FOR THE CONSTRUCTION OR ADJUSTMENT OF A UTILITY WITHIN COUNTY ROAD RIGHT-OF-WAY

Utility Information: Utility Name: Telepak Networks Inc dba Cspire

Address: 1010 Highland Col Pkwy City/State/Zip: Ridgeland, MS 39155

Contact Person: Jennifer A. Childs Contact's Phone: 601.624.7039

Project Information: County Road Name: Gluckstadt Rd.

(If located within more than one road right-of-way, use Appendix 1 for additional descriptions)

Beginning Location: Gluckstadt Rd. Ending Location: Gluckstadt Rd.

Length of Project: 1325 ft. Section: 21 Township: 8N Range: 2E

Description of Work: Cspire proposes a directional bore along Gluckstadt Rd. to install fiber optic cable, servicing the Mississippi Department of Revenue.

Check Box if Appendix 1 is to be included as a part of this Application

Whereas the above stated Utility makes application to the Madison County Board of Supervisors for a Construction Permit. Attached hereto are drawings and plans for the construction of the above facilities located within Madison County owned public rights-of-way. Once stamped by the Madison County Engineering Department, these plans shall not be changed or altered without written approval of the County Engineer, or his representative. A copy of the approved permit and plans shall be on-site at all times during construction.

The Applicant Utility shall comply with all policies, procedures and construction practices as outlined in A Policy for The Accommodation of Utility Facilities within the Right-of-Way of all Public County Roads (hereinafter referred to as the "Policy"), as adopted on November 1, 2005, by the Madison County Board of Supervisors, and which is hereby made a part of this Application Agreement.

If facilities are to be located within the Rights-of-Way of the County-Federal or State Aid System, Applicant Utility also agrees to comply with applicable provisions of S.O.P. No. SA II-2-8, Accommodation of Utilities on Rights-of-Way, issued by the State Aid Engineer and dated July 1, 2005.

The Applicant Utility understands and agrees that, except as herein granted, no right, title, claim, or easement to said road right-of-way is granted by the issuance of this permit. If this Utility is listed in the general provisions of the Policy, it will be adjusted to comply with same without cost to the County, unless the variance from the Policy has been approved by the granting of the Permit pursuant to this Application.

The Applicant Utility further understands that the Utility's engineering, plant, or other personnel will be responsible for the staking and construction supervision of the work set out above and as shown on the attached plans. If work impacts traffic in any way, the appropriate traffic control shall be installed per the Manual of Uniform Traffic Control Devices, Latest Edition.

The Applicant Utility understands that the County Engineer, or his representative, may issue a Stop Work Order at any time if it is deemed that site conditions are not suitable for construction or if any of the requirements of this permit are not being met.

Many County Roads have variable Rights-of-Way and/or no Right-of-Way at all and are maintained under a Prescriptive Easement. It is the sole responsibility of the Applicant Utility to verify the existence and limits of public rights-of-way. If none exists, it is the

responsibility of the Applicant Utility to acquire an easement for their Facilities from the applicable property owner(s). Madison County in no way verifies the limits of Right-of-Way as shown on the permit application.

The Applicant Utility shall be responsible for all future maintenance and repair of the facilities installed under this permit. The Applicant Utility shall make future adjustments to, or relocate, the facilities located within road or highway right-of-way when required for road or highway widening or other road or highway construction at no cost to Madison County. The Applicant Utility shall relocate said utilities within sixty (60) days of notification by County by registered mail, return receipt requested, unless otherwise designated by the County Engineer. Further, any maintenance, repair, or construction shall be done in such a manner as to occasion no unreasonable interference with the normal flow and safety to traffic and at the expense of the utility company. When reasonable care has been taken to locate said utility facilities within the right-of-way, the Applicant Utility understands that any damages caused by routine maintenance and construction by County forces shall be borne by the Applicant Utility.

The Applicant Utility further agrees to indemnify and hold Madison County harmless for any and all claims, accidents, damages, liabilities and expenses occasioned wholly, or in part, by any act or omission of applicant, its agents or employees. In case County shall, without fault on its own part, be made a party to any litigation commenced by or against applicant, then applicant shall protect and hold County harmless, and shall pay all costs, expenses and reasonable attorney's fees incurred or paid by County in connection with said litigation.

All underground facilities shall be installed at a depth equal to or greater than 48" below the lowest adjacent grade.

All pipes carrying liquid shall be encased under County maintained roads.

WITNESS the signature of the Applicant this the 16th day of August, 2021.

By: Jennifer Aaron Childs
(Applicant Signature)

Title: OSP Permit Specialist

Note: Applicant must be an employee of the Utility named in this application. The Madison County Board of Supervisors will not recognize a Contractor, Subcontractor, Agent, or Consulting Engineer as the Applicant. Utility Company shall be fully responsible for all work performed under this application.

I, or my authorized representative, have reviewed this application and determined that the drawing, sketches, and plans submitted by the Applicant meet the requirements of A Policy for The Accommodation of Utility Facilities within the Right-of-Way of all Public County Roads.

APPROVED

By: **By timothy.bryan at 11:29 am, Sep 01, 2021**

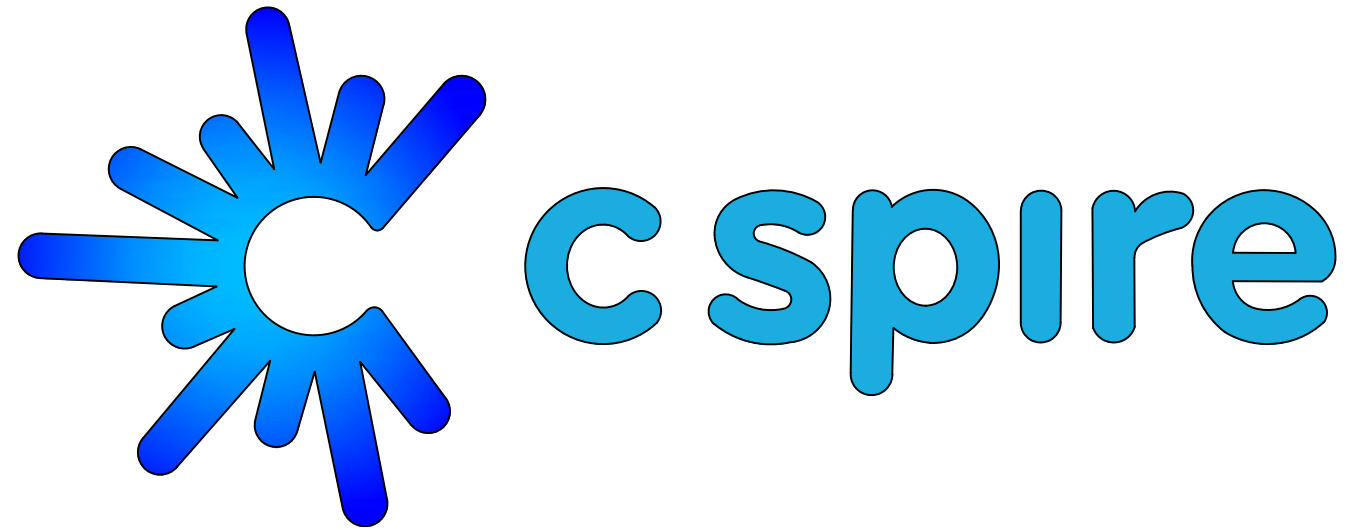
Tim Bryan, P.E.
County Engineer

AGREED TO AND APPROVED BY:

Madison County Board President

Date: _____

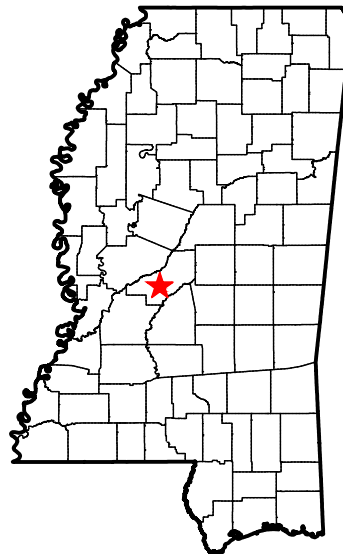
ENTERED INTO THE MINUTES OF THE BOARD OF SUPERVISORS OF MADISON COUNTY, MISSISSIPPI ON THIS _____ DAY OF _____, 20_____.



ASBUILT INFORMATION

FIELD ENGINEER: NAME: _____
PROJECT MANAGER: NAME: _____
CONSTRUCTION: NAME: _____
SUB CONTRACTOR: NAME: _____
INSPECTOR: NAME: _____
 PHONE#: _____

CONSTRUCTION COMMENCED: DATE: _____
CONSTRUCTION COMPLETED: DATE: _____
FIBER INSTALLED: DATE: _____
FINAL CLEANUP: DATE: _____



<<	PERMITS	>>
CITY : MADISON		
COUNTY : MADISON		

OSP.MSC.62825
CS.OSFPMS-MADCTY.MS

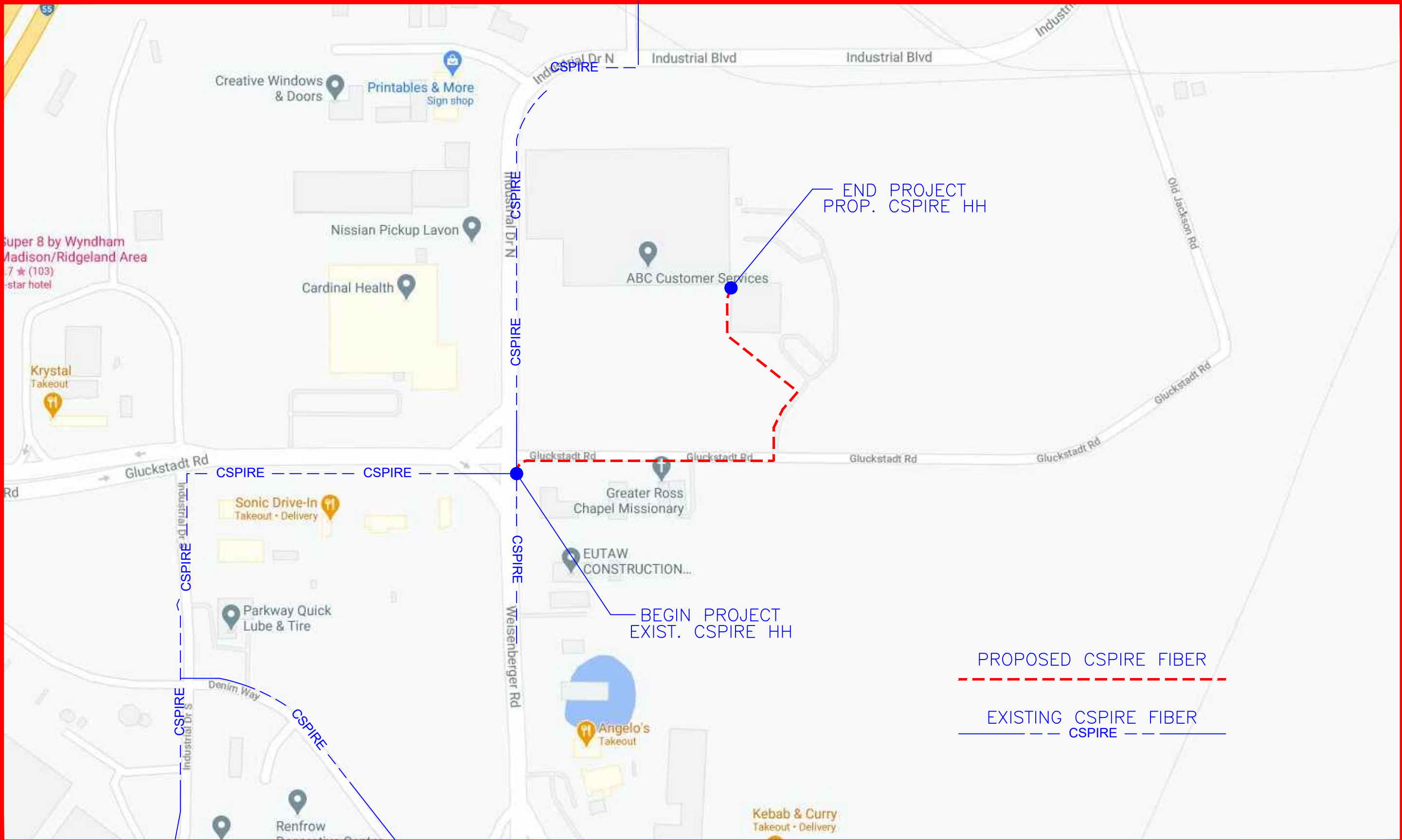
OSP SUBPROJECT
62825-001
62825-002

PROPOSED FIBER BUILD
SOMS AREA 2
STATE CONTRACT - MS DEPARTMENT OF REVENUE
MADISON COUNTY
3/20/21

PREPARED BY

43 Town Center Square, Suite 204
Hattiesburg, MS 39402
Office phone: (601) 402-9149
Email: designservices@bbgeomatics.com

ROUTE MAP



STATE CONTRACT - MS DEPARTMENT OF REVENUE, MADISON COUNTY



CONSTRUCTION NOTES:

- ALL CONDUIT WILL BE 4" ID SCHEDULE 40 (ie. PVC OR BSP/GSP, MANUFACTURED SPLIT PVC OR SPLIT BSP/GSP), UNLESS SPECIFIED OTHERWISE.
- CONTRACTOR IS RESPONSIBLE FOR LOCATING ALL UTILITIES 48 HOURS PRIOR TO CONSTRUCTION ACTIVITY. CALL ONE CALL SYSTEM @ 1-800-227-6477.
- ALL UNDERGROUND OBSTRUCTIONS , WHEN LOCATED, WILL REQUIRE THE PLACEMENT OF A BURIED CABLE MARKER AND THE PLACEMENT OF 4" MANUFACTURED SPLIT PVC, BSP/GSP OVER OR UNDER EACH OBSTRUCTION.
- SHORING MAY BE REQUIRED AND SHALL COMPLY TO O.S.H.A. STANDARDS.
- ALL BURIED CONDUIT/CABLE WILL BE PLACED AT 60" MINIMUM COVER CROSSING ALL STATE AND OR COUNTY ROADS AND ALL CREEK BEDS UNLESS SPECIFIED OTHERWISE ON THE CONSTRUCTION DRAWINGS.
- MECHANICAL PROTECTION SHALL BE REQUIRED ANYTIME A 36" MINIMUM COVER IS UNOBTAINABLE UNLESS SPECIFIED OTHERWISE ON THE CONSTRUCTION DRAWINGS.
- ALL 90 DEGREE BENDS IN CONDUIT CONSTRUCTION WILL BE A MINIMUM 38.2" RADIUS UNLESS SPECIFIED OTHERWISE. ALL SPLIT CONDUIT BENDS AND SOLID PVC BENDS SHALL REQUIRE CONCRETE ENCASEMENT, UNLESS SPECIFIED OTHERWISE.
- OPERATIONS PERSONNEL TO BE CONTACTED BY THE CONTRACTOR 48 HOURS PRIOR TO CONSTRUCTION.
- ALL STATIONING IS BASED ON AS-BUILT INFORMATION, THEREFORE SOME VARIANCE SHOULD BE ANTICIPATED. ADJUST AS NEEDED.
- RAILROAD COMMUNICATION AND SIGNAL CABLES TO BE LOCATED PRIOR TO CONSTRUCTION ACTIVITY. RAILROAD TO BE GIVEN 48 HOURS NOTICE PRIOR TO CONSTRUCTION
- ALL BURIED CONDUIT/CABLE WILL BE PLACED AT 24" MINIMUM BELOW THE LOWEST POINT OF EXISTING CITY UTILITY BEING CROSSED.
- ALL BURIED CONDUIT/CABLE WILL BE PLACED AT 48" MINIMUM BELOW ALL CITY & OR SURFACE STREET(S) WHERE NO UTILITY IS CROSSED.
- CONSTRUCTION CONTRACTOR SHALL PLACE MARKER POLES AT ALL H.H. LOCATIONS & AT EVERY MAJOR P.I. CONTRACTOR WILL PLACE MARKER POLES DURING THE CONSTRUCTION PHASE.

GENERAL NOTES:

- ALL WORK TO BE DONE WITH EXTREME CAUTION, FIBER OPTIC CABLE CARRYING TRAFFIC AND LOSS OF SERVICE WILL RESULT IN LOSS OF REVENUE.
- ALL WORK TO BE PERFORMED IN STRICT ACCORDANCE WITH THE APPLICABLE CODES OR REQUIREMENTS OF ANY REGULATING GOVERNMENTAL AGENCY, TELEPAK, OR THE RIGHT-OF-WAY GRANTOR.
- LOCATIONS OF SOME OF THE PHYSICAL FEATURES WERE OBTAINED FROM DATED RAILROAD EVALUATION MAPS OR OTHER DRAWINGS, AND MAY BE AS SHOWN OR DEPICTED ON THESE DRAWINGS.
- UNDERGROUND UTILITIES HAVE BEEN PLOTTED FROM AVAILABLE RECORDS AND FIELD OBSERVATIONS, BUT ARE NOT NECESSARILY EXACT. THEREFORE, UTILITY LOCATIONS WILL BE VERIFIED AT LEAST 100 FEET IN ADVANCE OF TRENCHING OR PLOWING, SO THAT CHANGES IN CABLE PLACEMENT CAN BE MADE IN EVENT OF CONFLICTS.
- ALL KNOWN BURIED OBSTRUCTIONS ARE SHOWN ON THE CONSTRUCTION DRAWINGS. ANY AND ALL OTHERS ENCOUNTERED ARE ALSO THE RESPONSIBILITY OF THE CONTRACTOR TO LOCATE, PROTECT, AND REPAIR, IF DAMAGED.
- ANY AND ALL IMPROVEMENTS, SUCH AS, ASPHALT OR CONCRETE PAVEMENT, CURBS, GUTTERS, WALKS, DRAINAGE DITCHES, EMBANKMENTS, SHRUBS, TREES, GRASS SOD, ETC., IF DAMAGED, SHALL BE RESTORED TO ORIGINAL OR BETTER CONDITION.
- EQUIPMENT TYPES SPECIFIED HEREIN (ie: "BACKHOE, "SWAMP PLOW", ETC.) ARE SUGGESTIONS ONLY AND ARE NOT INTENDED AS REQUIREMENTS. CONTRACTOR WILL BE NOTIFIED AS TO EXCEPTIONS.

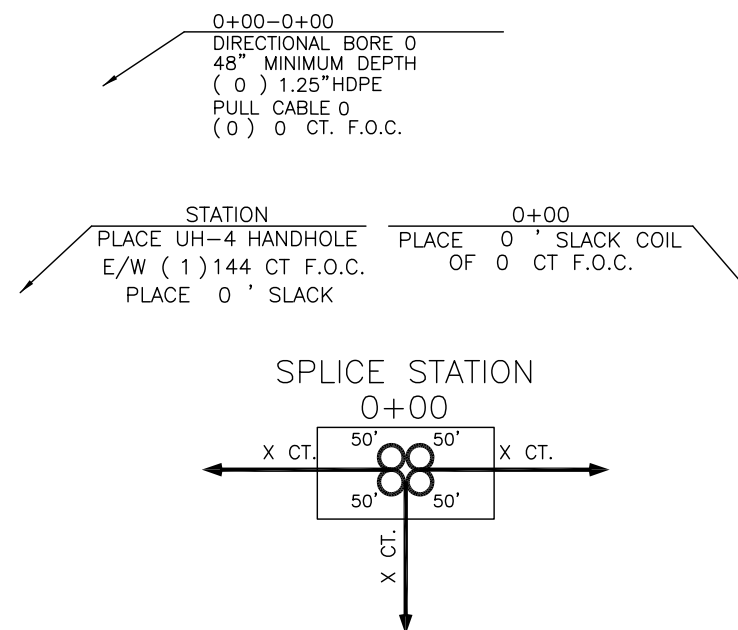
TRAFFIC CONTROL NOTES:

ALL WORK SHALL COMPLY WITH THE UNIFORM TRAFFIC CONTROL MANUAL. (1998 EDITION OF MUTCD, REVISION 3) OR NEWER VERSIONS OF THIS MANUAL.

CLARIFICATION NOTES:

NOTE: CALLOUTS WILL BE PLACED ON EACH DRAWING INDICATING FOLLOWING:

- MATERIAL AMOUNT
- DEPTH IF BURIED
- SIZE OF FIBER
- SIZE OF HDPE
- SIZE OF STRAND
- CABLE ID



NOMENCLATURE

DEFINITION

SYMBOL

- | | | |
|---------------|---|------|
| 1. BM2-8 : | PLACEMENT OF EIGHT FOOT GROUND ROD OUTSIDE OF HAND HOLE SIX INCHES BELOW GROUND LEVEL WITH PLACEMENT OF GROUND WIRE WITH THE CONNECTOR. | |
| 2. BM53F : | PLACEMENT OF PLASTIC MARKER POLE, MINIMUM OF 30" IN GROUND AS INDICATED BY DRAWINGS. | |
| 3. BM53F(A) : | PLACEMENT OF LOCATE MARKER POST AND PLACEMENT OF WIRE INSIDE OF POST FROM GROUND ROD AND SPLICE CLOSURE TO BE TERMINATED IN POST FOR LOCATION OF FACILITIES AS INDICATED ON DRAWINGS. | |
| 4. BM72 : | RESTORATION OF ASPHALT PER SQ. FT. AS REQUIRED BY COMPANY REP. | NONE |
| 5. BM73 : | RESTORATION OF CONCRETE PER SQ. FT. AS REQUIRED BY COMPANY REP. | NONE |
| 6. UO-144 : | PLACEMENT OF 144 COUNT FIBER INTO INNER-DUCT, LEAVING SLACK IN HAND HOLES AS INDICATED ON DRAWINGS. PRICE PER PLACEMENT IS ON 'PER FOOT' BASIS. | NONE |
| 7. UO-24 : | PLACEMENT OF 24 COUNT FIBER INTO INNER-DUCT, LEAVING SLACK IN HAND HOLES AS INDICATED ON DRAWINGS. PRICE FOR PLACEMENT IS ON A 'PER FOOT' BASIS. | NONE |

FILE NAME T-01	
PROJECT CITY -	
FULL FILENAME T-01.dwg	
DATE	DESCRIPTION CONSTRUCTION
SHEET 1	DRAWN BY BBG
SCALE	PAGE 1

REVISIONS			
REV.	DESCRIPTION	INITIALS	DATE

MATERIAL LIST		
ITEM	DESCRIPTION	QUANTITY
1	TOTAL CABLE FT.	0'
2	DIR-BORE CABLE	0'
3	PULL CABLE	0'
4	BURIED SLACK	0'
5	1.25" HDPE	0'
6	5" HDPE CASING	0'
7	HANDHOLES	0
8	MANHOLES	0
9	SPLICE CLOSURE	0
10	H-POSTS	0
11	GROUND RODS	0
12	AERIAL CABLE	0'
13	RISERS	0
14		



MAP NUMBER	

DISCLAIMER
EXCEPT AS MAY BE OTHERWISE PROVIDED BY CONTRACT, THESE DRAWINGS AND SPECIFICATIONS SHALL REMAIN THE PROPERTY OF CSPIRE FIBER. BEING ISSUED IN STRICT CONFIDENCE AND SHALL NOT BE REPRODUCED, COPIED, OR USED FOR ANY PURPOSE WITHOUT SPECIFIC WRITTEN PERMISSION.

NOTIFY ALL UTILITIES 72 HOURS PRIOR TO CONSTRUCTION ACTIVITY.
ONE CALL SYSTEM @ 1-800-227-6477

SYMBOLS KEY

DIRECTIONAL BORE	
AERIAL CABLE	
PLOW OR BURIED CABLE	
DIRECTIONAL BORE 5" HDPE	
PVC OR SPLIT PVC CONDUIT	
ASTMA 139 GRADE B STEEL	
JACK AND BORE	
CORE BORE	
EXISTING TELEPAK CABLE	
PROPOSED HANDHOLE	
EXISTING HANDHOLE	
HANDHOLE (CABLE IN HDPE)	
HH (CABLE IN PVC CONDUIT)	
HANDHOLE (CABLE IN GSP CONDUIT)	
MANHOLE	
MANHOLE (CABLE IN HDPE)	
MANHOLE (CABLE IN PVC CONDUIT)	
MANHOLE (CABLE IN BSP/GSP CONDUIT)	
H-FRAME	
BORE PIT	
LIGHTNING ARRESTOR	
AC/DC FILTER PROTECTION	
ALUMINUM HUB STYLE MARKER	
STEEL MARKER	
FLAT COMPOSOLITE MARKER	
TUBULAR MARKER	
RIGHT-OF-WAY MARKER	
RIGHT-OF-WAY PIN	
MILE POST MARKER	
NOTE: DASHED = (NOT FOUND IN FIELD)	

RAILROAD TRACKS	
AUXILLARY TRACKS	
CENTERLINE	
WOOD LINE	
DITCH LINE	
TOP OF SLOPE	
TOE OF SLOPE	
AERIAL UTILITY (ELECTRIC)	
UNDERGROUND UTILITY (TELEPHONE) (PARTIAL CAPSULE INDICATES COVER DEPTH IN INCHES)	
CAUTION NOTES	
WATER VALVE	
WATER METER	
GAS VALVE	
FIRE HYDRANT	
STORM DRAIN	
SEWER MANHOLE	
CULVERT	
BOX CULVERT	
CITY, COUNTY OR STATE BOUNDARY LINE	
R.R. CROSSING SIGNAL	
R.R. SIGNAL ARM	
U/G TRANSFORMER	
STREET/SIGNAL LIGHT	
PARKING METER	
STEEL/WOOD POST	
SIGN	
FENCE LINE	
TELEPHONE/CATV PED	
TREE	
BUSH	
PUSH BRACE	
JOINT USE POLE	
TELEPHONE POLE	
CONCRETE POLE	
STEEL POLE	
POWER POLE	
TRANSFORMER POLE	
GROUND WIRE	
BOND AND GROUND	

ANCHOR ONLY (EXISTING)		ANCHOR AND GUY WHOLLY OWNED BY ANOTHER COMPANY	
GUY ONLY (EXISTING)		SIDEWALK ANCHOR & GUY	
PROPOSED ANCHOR & GUY		PROPOSED SIDEWALK ANC & GUY	
ACCOUNT CODE CHANGE (BURIED - AERIAL)			
OVERHEAD GUY (ARROW IN DIRECTION OF PULL)			
PROPERTY LINE			
EDGE OF PAVEMENT			
BACK OF CURB			
WHITE LINE			
RIGHT-OF-WAY LINE			
TAX DISTRICT BOUNDARY			
PROBE (DEPTH AS INDACATED)			
PERMIT TRACKING FORM IDENTIFIER			

POLE ATTACHMENT ABBREVIATIONS

PWR	POWER ATTACHMENT	PWR OHG	POWER OVERHEAD GUY
TRI	TRIPLEX	CATV OHG	CATV OVERHEAD GUY
COMM	COMMUNICATIONS ATTACHMENT	CAP BANK	CAPACITOR BANK
CATV	CATV ATTACHMENT	CLTCKT	FIRE ALARM CIRCUIT
SL	STREET LIGHT	PWR DIP	POWER DIP
TSIG	TRAFFIC SIGNAL	COMM DIP	COMMUNICATIONS DIP
MDW	MULTI DROP WIRE	CATV DIP	CATV DIP
COMM OHG	COMMUNICATIONS OVERHEAD GUY	TEOP	TRAFFIC LIGHT
FL	FLOOD LIGHT	TGUY	TRAFFIC GUY
WH	WEATHER HEAD	MS	MIDSPAN
TRAN	TRANSFORMER	OHG	OVERHEAD GUY
TELEPAK	TELEPAK ATTACHMENT	TOP	TOP OF POLE
SEC	SECONDARY POWER	NEU	NEUTRAL



FILE NAME	T-02
PROJECT CITY	-
FULL FILENAME	T-02.dwg
DATE	
DESCRIPTION	CONSTRUCTION
SHEET	2
DRAWN BY	BBG
SCALE	
PAGE	2

REVISIONS

REV.	DESCRIPTION	INITIALS	DATE

MATERIAL LIST

ITEM	DESCRIPTION	QUANTITY
1	TOTAL CABLE FT.	0'
2	DIR-BORE CABLE	0'
3	PULL CABLE	0'
4	BURIED SLACK	0'
5	1.25" HDPE	0'
6	5" HDPE CASING	0'
7	HANDHOLES	0
8	MANHOLES	0
9	SPLICE CLOSURE	0
10	H-POSTS	0
11	GROUND RODS	0
12	AERIAL CABLE	0'
13	RISERS	0
14		

PREPARED BY



PREPARED FOR



MAP NUMBER

	2	

DISCLAIMER

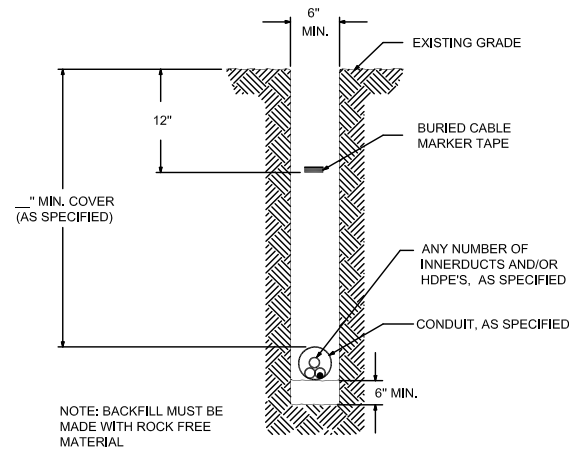
EXCEPT AS MAY BE OTHERWISE PROVIDED BY CONTRACT, THESE DRAWINGS AND SPECIFICATIONS SHALL REMAIN THE PROPERTY OF CSPIRE FIBER. BEING ISSUED IN STRICT CONFIDENCE AND SHALL NOT BE REPRODUCED, COPIED, OR USED FOR ANY PURPOSE WITHOUT SPECIFIC WRITTEN PERMISSION.

NOTIFY ALL UTILITIES 72 HOURS PRIOR TO CONSTRUCTION ACTIVITY.
ONE CALL SYSTEM © 1-800-227-6477

PLACEMENT-TYPICALS

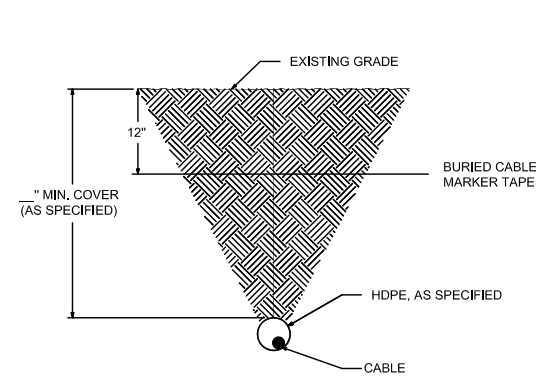
TYPICAL DETAIL "A"

PLACE CONDUIT CROSS SECTION

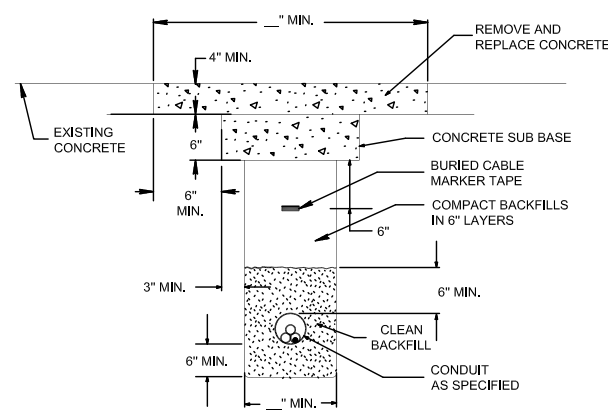


TYPICAL DETAIL "B"

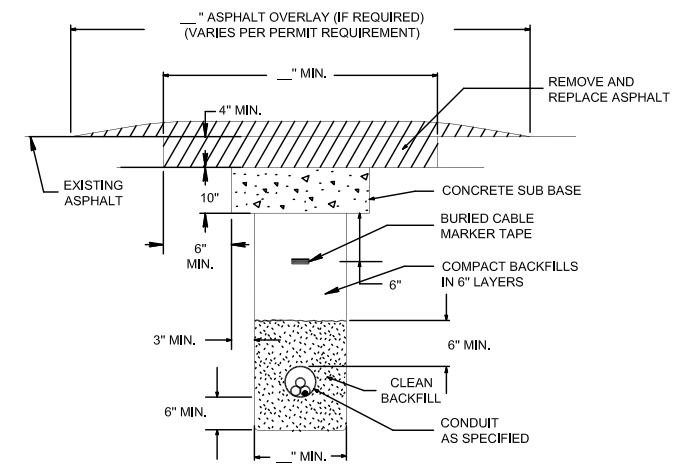
PLACE HDPE CROSS SECTION



TYPICAL DETAIL "C"
CONCRETE / PAVEMENT OPEN CUT CROSS SECTION

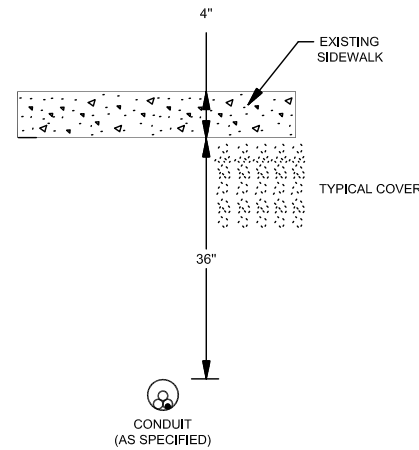


TYPICAL DETAIL "D"
ASPHALT/PAVEMENT OPEN CUT CROSS SECTION

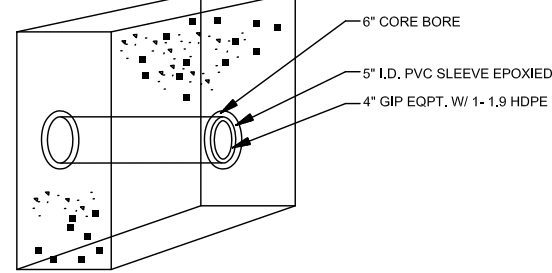


OPEN CUT-TYPICALS

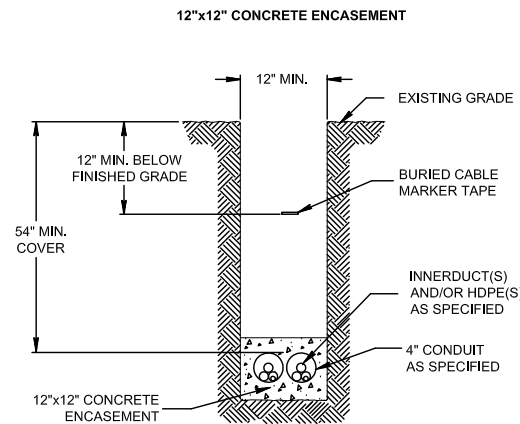
TYPICAL DETAIL "E"
BORE CONCRETE SIDEWALK



TYPICAL DETAIL "F"
CORE BORE (CONCRETE / BRICK WALL)

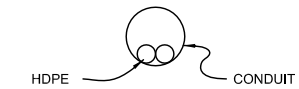


TYPICAL DETAIL "G"



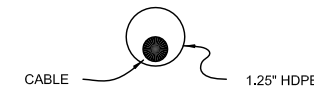
TYPICAL DETAIL "H"

PLACE (2) 1.25" HDPE IN CONDUIT



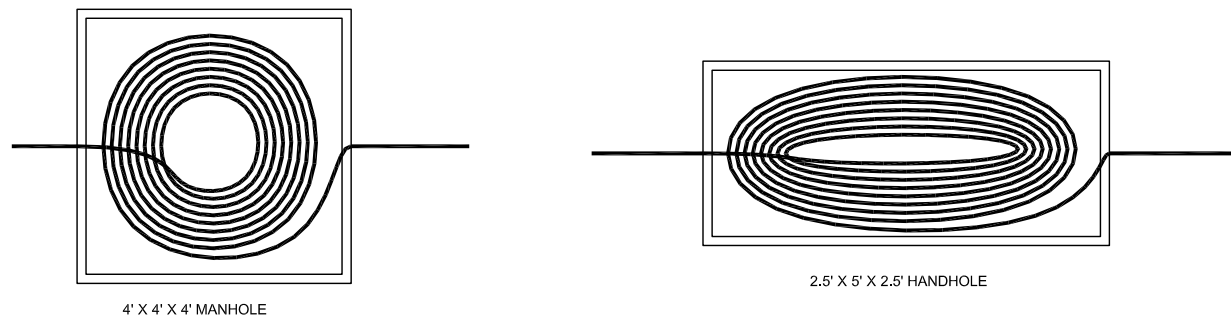
TYPICAL DETAIL "I"

PLACE CABLE IN HDPE



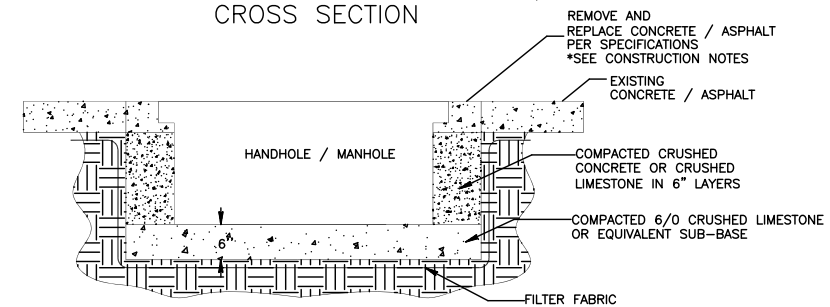
TYPICAL DETAIL "J"

MANHOLE & HANDHOLE SLACK COIL DETAIL



TYPICAL DETAIL "K"

HANDHOLE INSTALLATION IN CONCRETE / ASPHALT CROSS SECTION



FILE NAME T-03
PROJECT CITY -
FULL FILENAME T-03.dwg
DATE DESCRIPTION CONSTRUCTION
SHEET 3 DRAWN BY BBG
SCALE PAGE 3

REVISIONS

REV.	DESCRIPTION	INITIALS	DATE

MATERIAL LIST

ITEM	DESCRIPTION	QUANTITY
1	TOTAL CABLE FT.	0'
2	DIR-BORE CABLE	0'
3	PULL CABLE	0'
4	BURIED SLACK	0'
5	1.25" HDPE	0'
6	5" HDPE CASING	0'
7	HANDHOLES	0
8	MANHOLES	0
9	SPLICE CLOSURE	0
10	H-POSTS	0
11	GROUND RODS	0
12	AERIAL CABLE	0'
13	RISERS	0
14		

PREPARED BY



PREPARED FOR



MAP NUMBER
3

DISCLAIMER

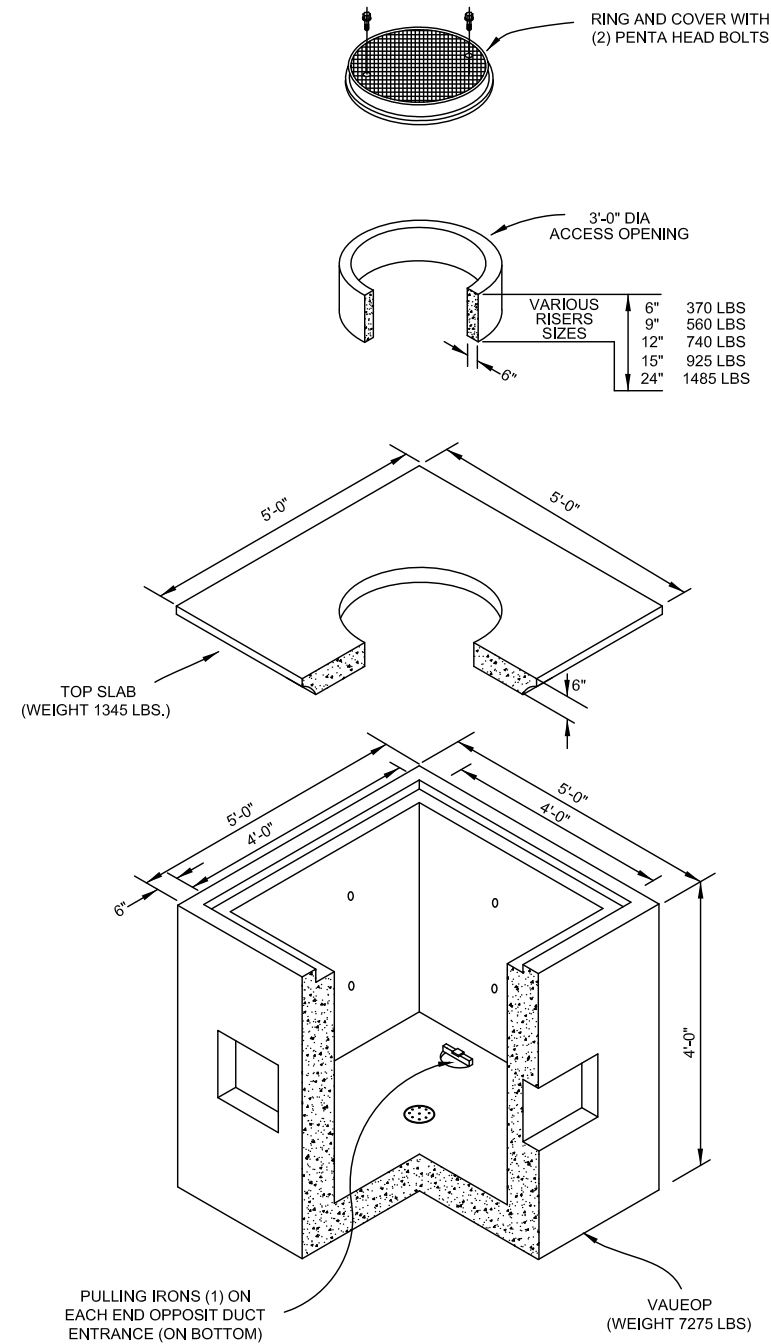
EXCEPT AS MAY BE OTHERWISE PROVIDED BY CONTRACT, THESE DRAWINGS AND SPECIFICATIONS SHALL REMAIN THE PROPERTY OF CSPIRE FIBER. BEING ISSUED IN STRICT CONFIDENCE AND SHALL NOT BE REPRODUCED, COPIED, OR USED FOR ANY PURPOSE WITHOUT SPECIFIC WRITTEN PERMISSION.

NOTIFY ALL UTILITIES 72 HOURS PRIOR TO CONSTRUCTION ACTIVITY.
ONE CALL SYSTEM © 1-800-227-6477

CAPITOL CONCRETE PRODUCTS, INC

FIBER OPTIC/LIGHTGUIDE
SPLICE VAUEOP
4'-0"X4'-0"X4'-0"

GRADE 60 REINFORCEMENT
4500 PSI CONCRETE
REINFORCEMENT FOR
AASHTO M-20 LOADING



FILE NAME T-04

PROJECT CITY -

FULL FILENAME
T-04.dwg

DATE	DESCRIPTION CONSTRUCTION
SHEET 4	DRAWN BY BBG
SCALE	PAGE 4

REVISIONS

REV.	DESCRIPTION	INITIALS	DATE

MATERIAL LIST

ITEM	DESCRIPTION	QUANTITY
1	TOTAL CABLE FT.	0'
2	DIR-BORE CABLE	0'
3	PULL CABLE	0'
4	BURIED SLACK	0'
5	1.25" HDPE	0'
6	5" HDPE CASING	0'
7	HANDHOLES	0
8	MANHOLES	0
9	SPLICE CLOSURE	0
10	H-POSTS	0
11	GROUND RODS	0
12	AERIAL CABLE	0'
13	RISERS	0
14		

PREPARED BY



PREPARED FOR



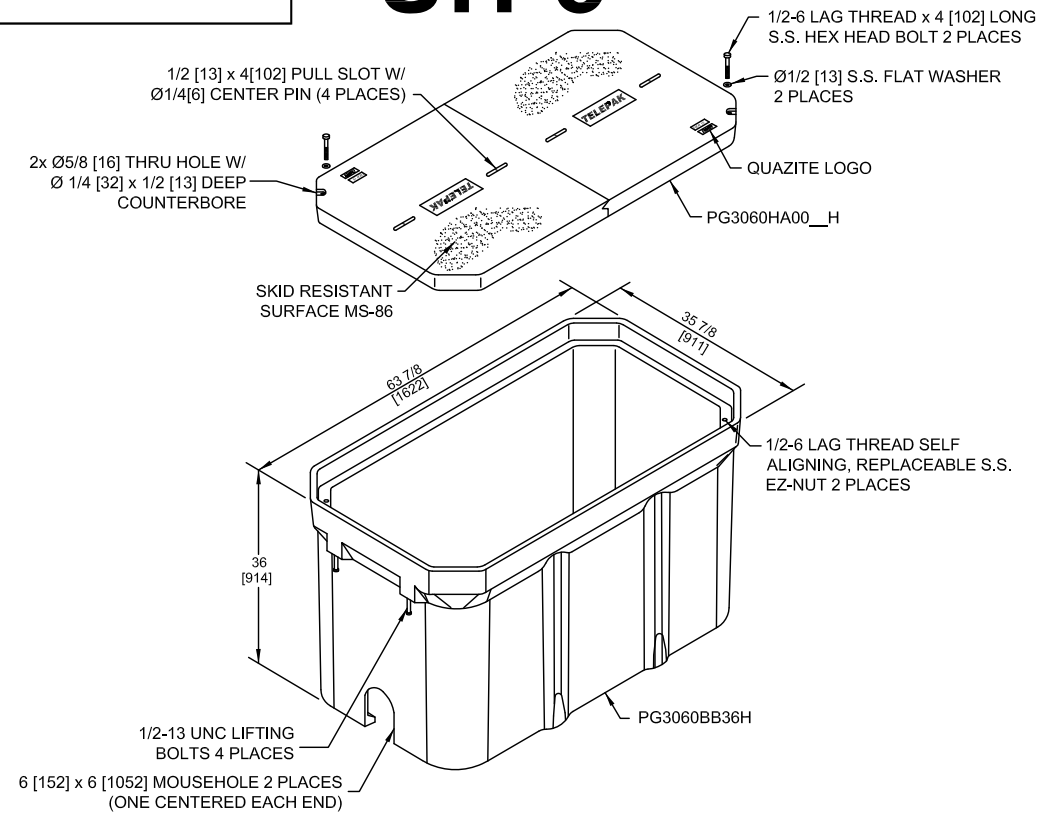
MAP NUMBER

DISCLAIMER

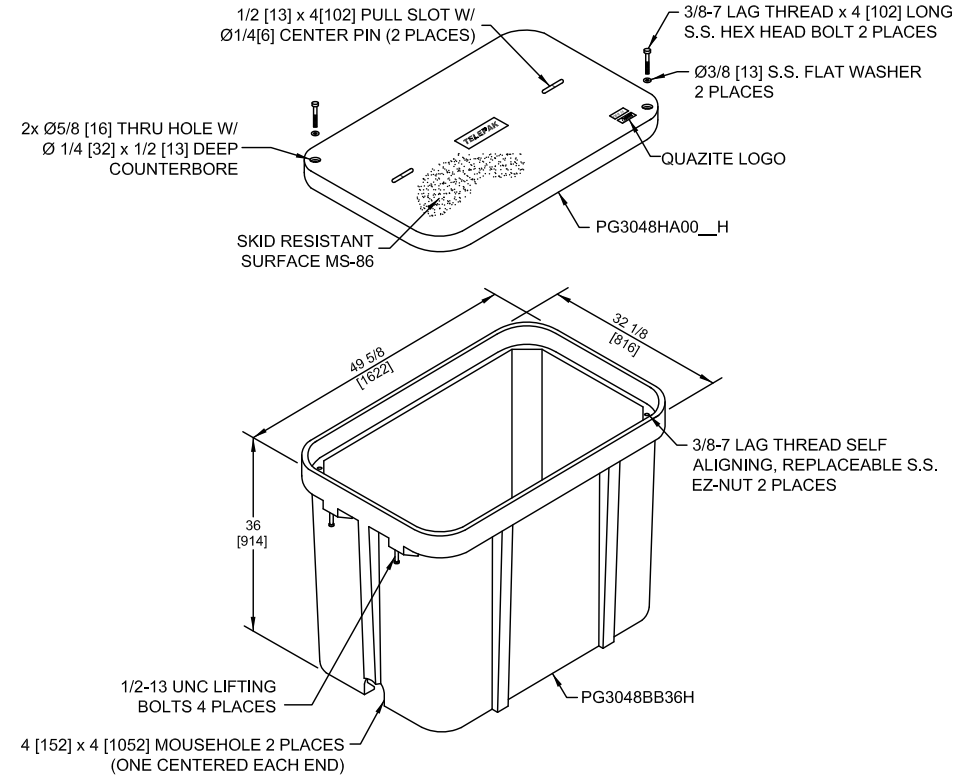
EXCEPT AS MAY BE OTHERWISE PROVIDED BY CONTRACT, THESE DRAWINGS AND SPECIFICATIONS SHALL REMAIN THE PROPERTY OF CSPIRE FIBER. BEING ISSUED IN STRICT CONFIDENCE AND SHALL NOT BE REPRODUCED, COPIED, OR USED FOR ANY PURPOSE WITHOUT SPECIFIC WRITTEN PERMISSION.

NOTIFY ALL UTILITIES 72 HOURS PRIOR TO CONSTRUCTION ACTIVITY.
ONE CALL SYSTEM © 1-800-227-6477

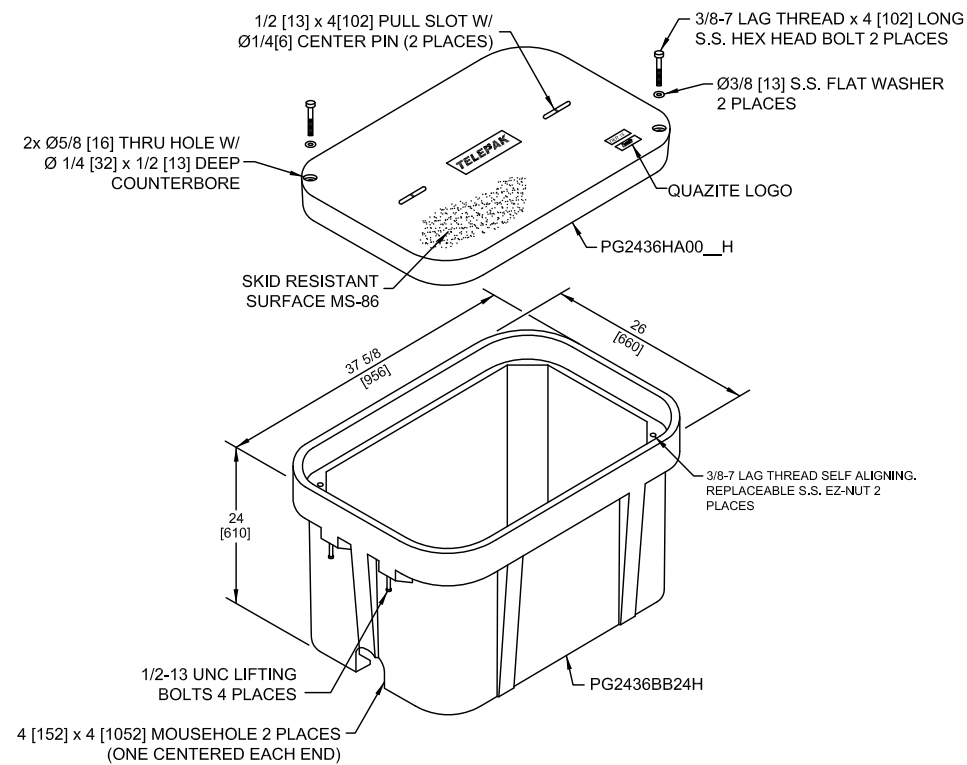
UH-5



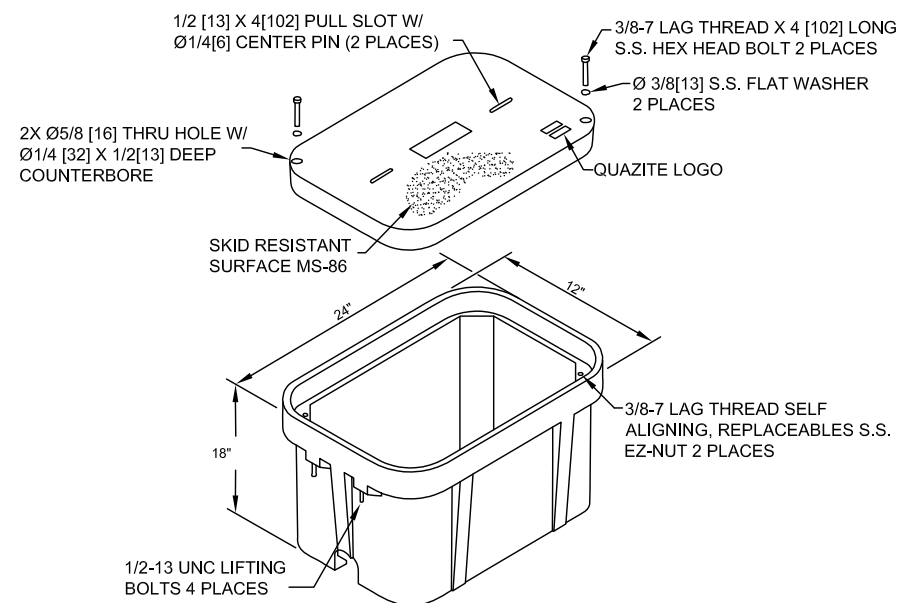
UH-4



UH-3



UH-2



FILE NAME T-05

PROJECT CITY -

FULL FILENAME T-05.dwg

DATE	DESCRIPTION
	CONSTRUCTION
SHEET	DRAWN BY
5	BBG
SCALE	PAGE
	5

REVISIONS

REV.	DESCRIPTION	INITIALS	DATE

MATERIAL LIST

ITEM	DESCRIPTION	QUANTITY
1	TOTAL CABLE FT.	0'
2	DIR-BORE CABLE	0'
3	PULL CABLE	0'
4	BURIED SLACK	0'
5	1.25" HDPE	0'
6	5" HDPE CASING	0'
7	HANDHOLES	0
8	MANHOLES	0
9	SPLICE CLOSURE	0
10	H-POSTS	0
11	GROUND RODS	0
12	AERIAL CABLE	0'
13	RISERS	0
14		

PREPARED BY



PREPARED FOR



MAP NUMBER

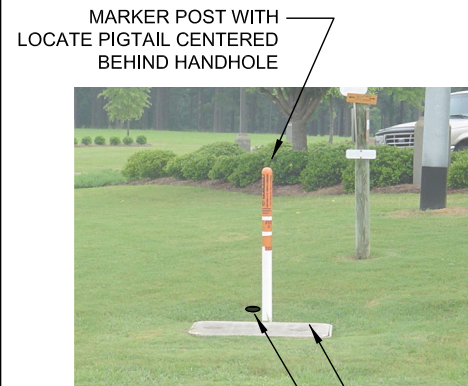
	5	

DISCLAIMER

EXCEPT AS MAY BE OTHERWISE PROVIDED BY CONTRACT, THESE DRAWINGS AND SPECIFICATIONS SHALL REMAIN THE PROPERTY OF CSPIRE FIBER. BEING ISSUED IN STRICT CONFIDENCE AND SHALL NOT BE REPRODUCED, COPIED, OR USED FOR ANY PURPOSE WITHOUT SPECIFIC WRITTEN PERMISSION.

NOTIFY ALL UTILITIES 72 HOURS PRIOR TO CONSTRUCTION ACTIVITY.
ONE CALL SYSTEM © 1-800-227-6477

TYPICAL HAND HOLE INSTALLATION



MARKER POST WITH LOCATE PIGTAIL CENTERED BEHIND HANDHOLE

8" x 5/8" GROUND ROD 6" BELOW GROUND AND 6" TO THE LEFT OF MARKER POST OUTSIDE OF HANDHOLE

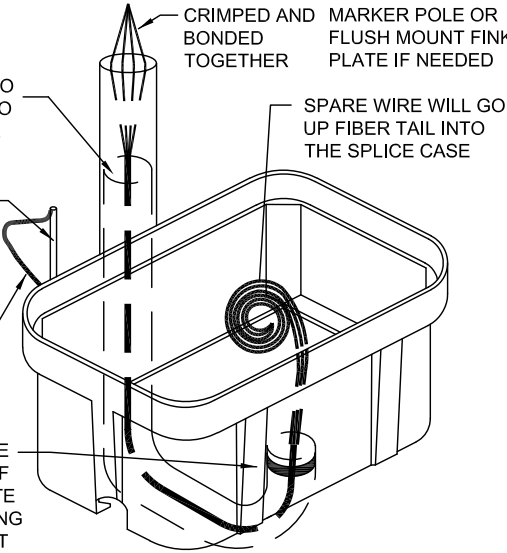
AT EVERY HANDHOLE LOCATION WITH A MARKER POST, 1.25" HDPE SHOULD EXTEND 48" INTO MARKER POST. HDPE SHOULD ALSO EXTEND 6" ABOVE GRAVEL AT THE BOTTOM OF THE HANDHOLE.

AT EVERY TEST STATION, BURY GROUND ROD 6" BELOW GROUND AND 6" TO THE LEFT OF MARKER POST

BLACK WIRE BONDED TO 8" GROUND ROD AT TEST STATIONS ONLY

PLACE BLUE TAPE NEAR THE TOP OF HDPE TO INDICATE THE DUCT LEADING TO MARKER POST

PIGTAIL INSTALLED IN H/H WITH LONG WIRES (CONNECTORIZED ENDS) FED UP INTO MARKER POST AND SHORT WIRE TO GROUND ROD



NOTES:

1. THIS ASSEMBLY IS RATED FOR A STATIC DESIGN LOAD OF 15,000 LBS. [66,720 N] OVER A 10 [254] X 10 [254] AREA AND MUST PASS A MIN. STATIC TEST LOAD OF 22,500 LBS. [100,085 N].
2. ALL ENCLOSURES, BOXES AND COVERS, ARE REQUIRED TO CONFORM TO ALL TEST PROVISIONS OF ANSI/SCTE 77 2007 "SPECIFICATION FOR UNDERGROUND ENCLOSURE INTEGRITY" AS MANUFACTURED BY QUAZITE OR EQUIVALENT WITH TELEPAK NETWORK'S ENGINEER'S SIGNED APPROVAL. THE COVERS MUST BE RATED FOR TIER 15 APPLICATIONS AND BOXES RATED FOR TIER 22 APPLICATIONS AND IN NO ASSEMBLY CAN THE COVER DESIGN LOAD EXCEED THE DESIGN LOAD OF THE BOX. ALL COMPONENTS IN AN ASSEMBLY (BOX & COVER) ARE MANUFACTURED USING MATCHED SURFACE TOOLING. ALL COVERS ARE REQUIRED TO HAVE A MINIMUM COEFFICIENT OF FRICTION OF 0.50 IN ACCORDANCE WITH ASTM C 1028 AND HAVE TIER 15 AND "TELEPAK NETWORKS 800-342-3716" EMBOSSED ON THE TOP SURFACE. ALL COVER BOLTS TO BE SELF-CLEANING AUGER BOLT ASSEMBLIES.

PIGTAILS ARE TO BE INSTALLED AT TEST STATION (T.S.) ONLY.

HANDHOLES ARE TO BE INSTALLED A MINIMUM OF THREE FEET FROM ANY UTILITY OR POWER POLE.

BOXES (Nestable)

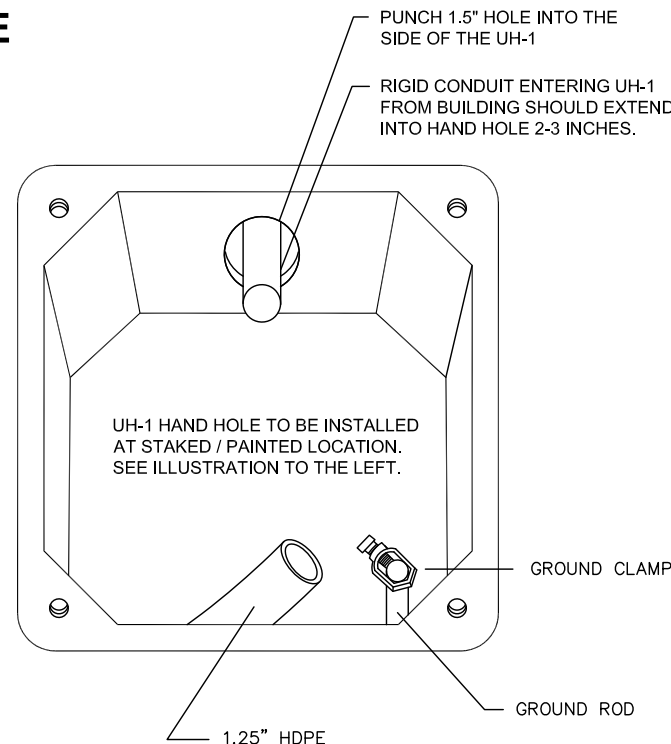
DESCRIPTION	PART NO.	WEIGHT	DESIGN/TEST LOAD#
UH-5 30x60x36	PG3060Z501	933# 423KG.	15'000 LBS
UH-4 30x48x36	PG3048Z579	563# 255KG.	15'000 LBS
UH-3 24x36x24	PG2436Z905	284# 129KG.	15'000 LBS

DIMENSIONS ARE IN INCHES OR MILLIMETERS IN BRACKETS UNLESS OTHERWISE NOTED.

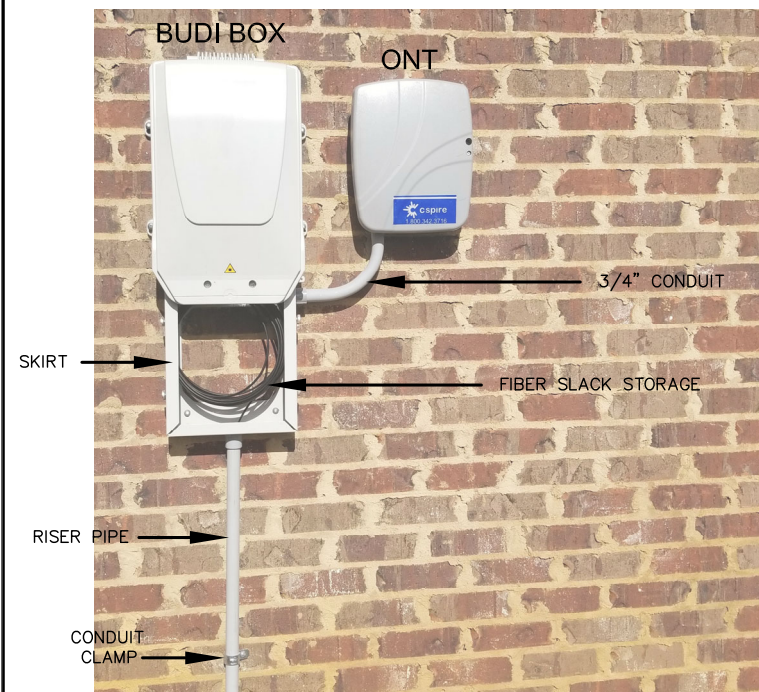
TYPICAL UH-1 / UH-2 HAND HOLE INSTALLATION PROCEDURES AT BUILDING ENTRIES



UH-1 / UH-2 INSTALLATION LOCATION WILL BE MARKED BY A STAKE AND/OR PAINT. CSPIRE/OSP WILL INSTALL CONDUIT 8" UNDERGROUND TO DESIRABLE UH-1 LOCATION.



TYPICAL BUDI BOX, SKIRT & ONT COMBO OUTDOOR INSTALLATION PROCEDURES AT BUILDING ENTRIES

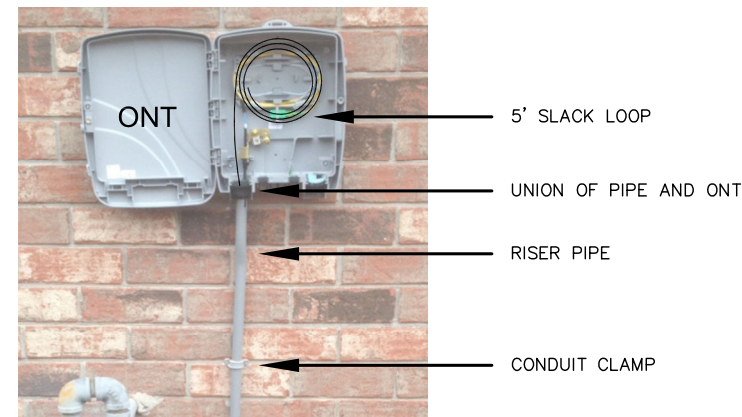


1. PLEASE MOUNT BUDI BOX 36" OFF THE GROUND UNLESS OTHERWISE STATED ON THE DRAWINGS.
2. BUDI BOX & ONT INSTALLATION LOCATION WILL BE SHOWN ON THE CONSTRUCTION DRAWINGS. PLEASE DO NOT USE PICTURES AS A HEIGHT INDICATOR FOR THE INSTALLATION.
3. MOUNT 3' RISER PIPE TO THE WALL USING SHOWN CONDUIT STRAPS.
4. JOIN RISER PIPE TO SKIRT AT SHOWN LOCATION & MOUNT BUDI BOX & SKIRT TO WALL.
5. USING A 3/4" SWEEPING 90, CONNECT SKIRT TO ONT AND MOUNT ONT TO WALL.
6. PLACE FIBER FROM DUCT INTO RISER PIPE AND INTO SKIRT LEAVING A 5' SLACK LOOP.

BUDI BOX, SKIRT & ONT COMBO OUTDOOR INSTALLATION COMPLETED INSTALL



TYPICAL ONT OUTDOOR INSTALLATION PROCEDURES AT BUILDING ENTRIES



1. PLEASE MOUNT ONT 48" OFF THE GROUND UNLESS OTHERWISE STATED ON THE DRAWINGS.
2. ONT & FDP INSTALLATION LOCATION WILL BE SHOWN ON THE CONSTRUCTION DRAWINGS. PLEASE DO NOT USE PICTURES AS A HEIGHT INDICATOR FOR THE INSTALLATION. MOUNT ONT AS CLOSE TO THE POWER METER AS POSSIBLE
3. DUCT PLACED BY DIRECTIONAL BORING SHOULD MEET THE RISER PIPE UNDERGROUND NEAR THE BASE OF THE WALL. A 4" GAP BETWEEN THE DUCT AND THE RISER PIPE IS ACCEPTABLE.
4. MOUNT 4' RISER PIPE TO THE WALL USING SHOWN CONDUIT CLAMPS.
5. JOIN RISER PIPE TO ONT AT SHOWN LOCATION & MOUNT ONT TO THE WALL.
6. PLACE FIBER FROM DUCT INTO RISER PIPE AND INTO ONT.
7. LEAVE 5' OF SLACK INSIDE OF THE ONT. SLACK SHOULD BE LOOSELY STORED AND NOT LOOPED TIGHTLY.



FILE NAME T-06

PROJECT CITY -

FULL FILENAME T-06.dwg

DATE 03-10-16 DESCRIPTION CONSTRUCTION

SHEET 6 DRAWN BY J.BUSBY

SCALE 1"=50' PAGE 6

REVISIONS

REV.	DESCRIPTION	INITIALS	DATE

MATERIAL LIST

ITEM	DESCRIPTION	QUANTITY
1	TOTAL CABLE FT.	0'
2	DIR-BORE CABLE	0'
3	PULL CABLE	0'
4	BURIED SLACK	0'
5	1.25" HDPE	0'
6	5" HDPE CASING	0'
7	HANDHOLES	0
8	MANHOLES	0
9	SPLICE CLOSURE	0
10	H-POSTS	0
11	GROUND RODS	0
12	AERIAL CABLE	0'
13	RISERS	0
14		

PREPARED BY



PREPARED FOR

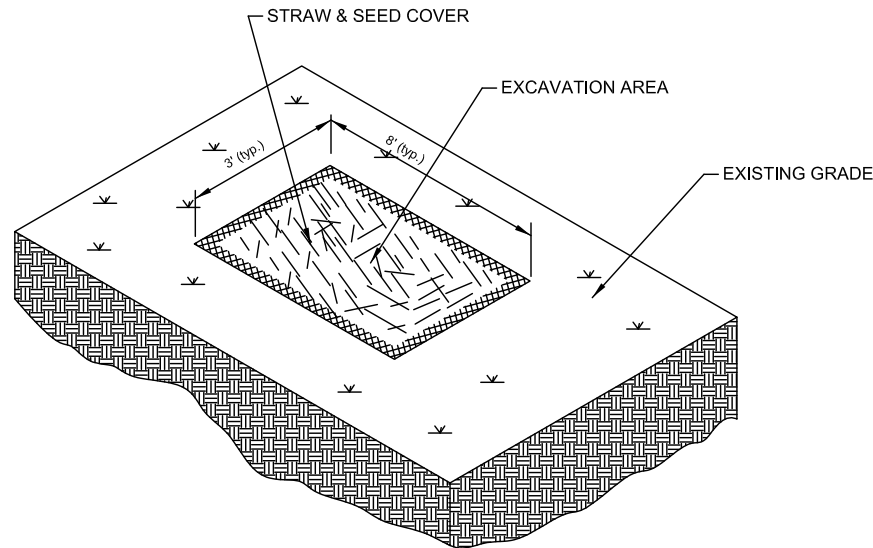


MAP NUMBER

DISCLAIMER

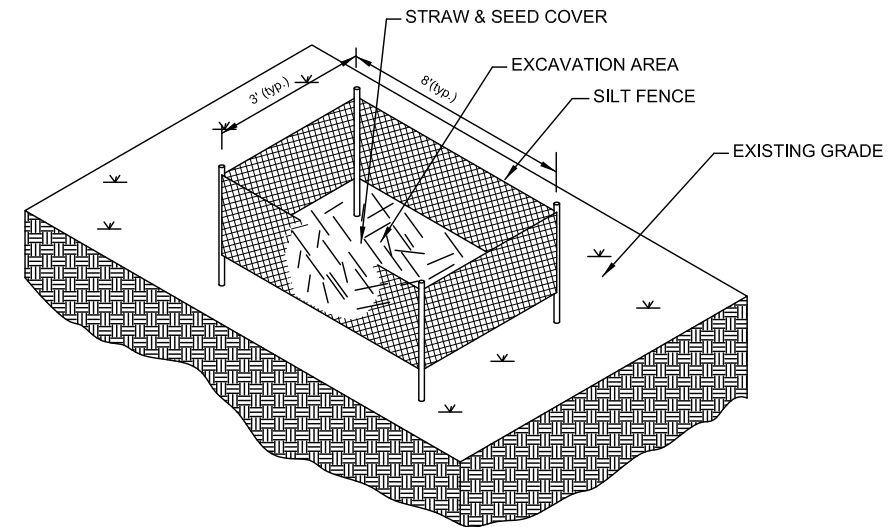
EXCEPT AS MAY BE OTHERWISE PROVIDED BY CONTRACT, THESE DRAWINGS AND SPECIFICATIONS SHALL REMAIN THE PROPERTY OF CSPIRE FIBER. BEING ISSUED IN STRICT CONFIDENCE AND SHALL NOT BE REPRODUCED, COPIED, OR USED FOR ANY PURPOSE WITHOUT SPECIFIC WRITTEN PERMISSION.

NOTIFY ALL UTILITIES 72 HOURS PRIOR TO CONSTRUCTION ACTIVITY.
ONE CALL SYSTEM © 1-800-227-6477



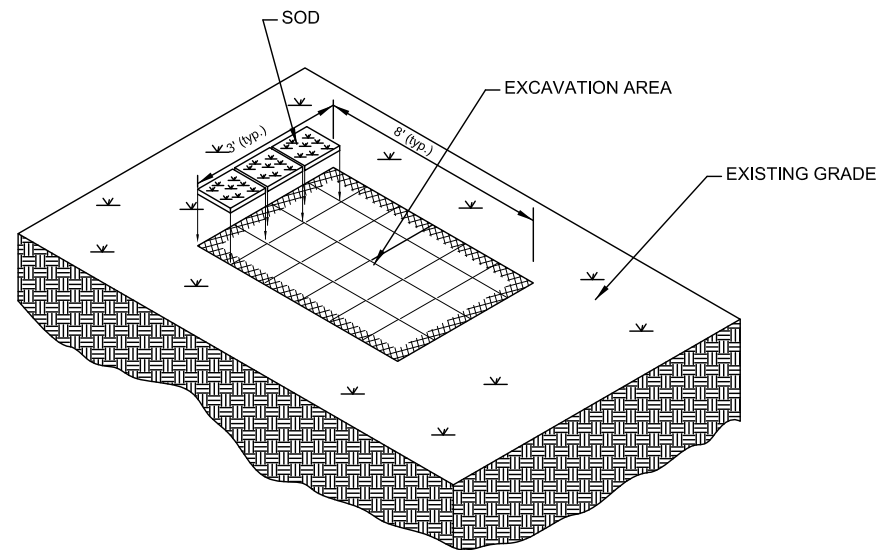
TYPICAL EROSION DETAIL #1

NOTE TO CONSTRUCTION:
 WHERE APPLICABLE
 RE-COMPACT SOIL AROUND
 HANDHOLES AND BOREPITS
 USE HAY AND SEED COVER
 FOR EROSION CONTROL.



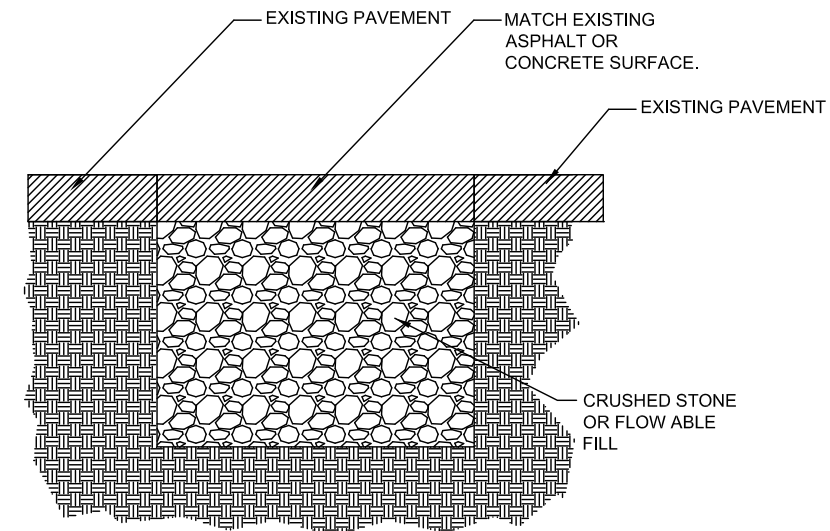
TYPICAL EROSION DETAIL #2

NOTE TO CONSTRUCTION:
 FOR HIGHER DEGREE OF SLOPE
 RE-COMPACT SOIL AROUND
 HANDHOLES AND BOREPITS. USE
 HAY, SEED AND SILT FENCES FOR
 EROSION CONTROL.



TYPICAL EROSION DETAIL #3

NOTE TO CONSTRUCTION:
 FOR EROSION CONTROL IN
 WELL MANICURED AREAS
 RE-COMPACT SOIL AROUND
 HANDHOLES AND BOREPITS.
 RE-SOD TO MATCH EXISTING
 GROUND COVER.



TYPICAL PAVEMENT REPAIR

DETAIL #4
NOTE TO CONSTRUCTION:

RE-COMPACT EFFECTED
 AREAS WITH CRUSHED
 STONE OR FLOW ABLE
 FILL.
 MATCH EXISTING PAVEMENT
 SURFACE.



FILE NAME T-07

PROJECT CITY -

FULL FILENAME
 T-07.dwg

DATE DESCRIPTION
 CONSTRUCTION

SHEET 7 DRAWN BY
 BBG

SCALE PAGE
 7

REVISIONS

REV.	DESCRIPTION	INITIALS	DATE

MATERIAL LIST

ITEM	DESCRIPTION	QUANTITY
1	TOTAL CABLE FT.	0'
2	DIR-BORE CABLE	0'
3	PULL CABLE	0'
4	BURIED SLACK	0'
5	1.25" HDPE	0'
6	5" HDPE CASING	0'
7	HANDHOLES	0
8	MANHOLES	0
9	SPLICE CLOSURE	0
10	H-POSTS	0
11	GROUND RODS	0
12	AERIAL CABLE	0'
13	RISERS	0
14		

PREPARED BY



PREPARED FOR



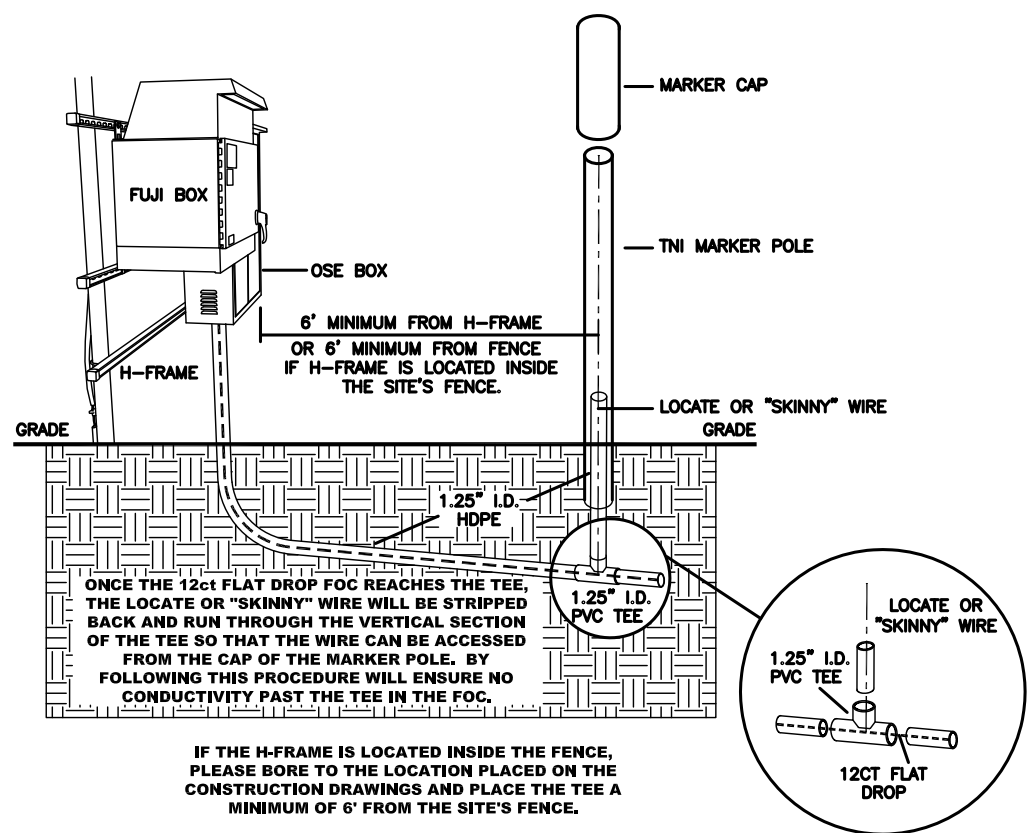
MAP NUMBER

DISCLAIMER

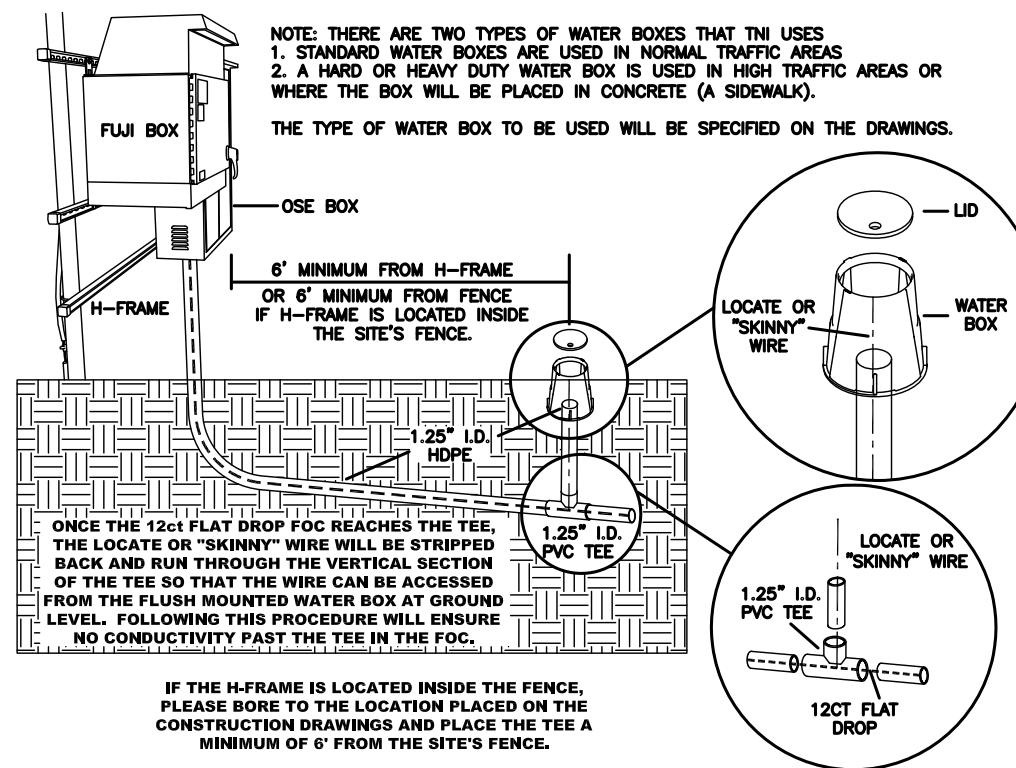
EXCEPT AS MAY BE OTHERWISE PROVIDED BY
 CONTRACT, THESE DRAWINGS AND SPECIFICATIONS
 SHALL REMAIN THE PROPERTY OF CSPIRE FIBER.
 BEING ISSUED IN STRICT
 CONFIDENCE AND SHALL NOT BE REPRODUCED,
 COPIED, OR USED FOR ANY PURPOSE
 WITHOUT SPECIFIC WRITTEN PERMISSION.

NOTIFY ALL UTILITIES 72 HOURS PRIOR
 TO CONSTRUCTION ACTIVITY.
 ONE CALL SYSTEM © 1-800-227-6477

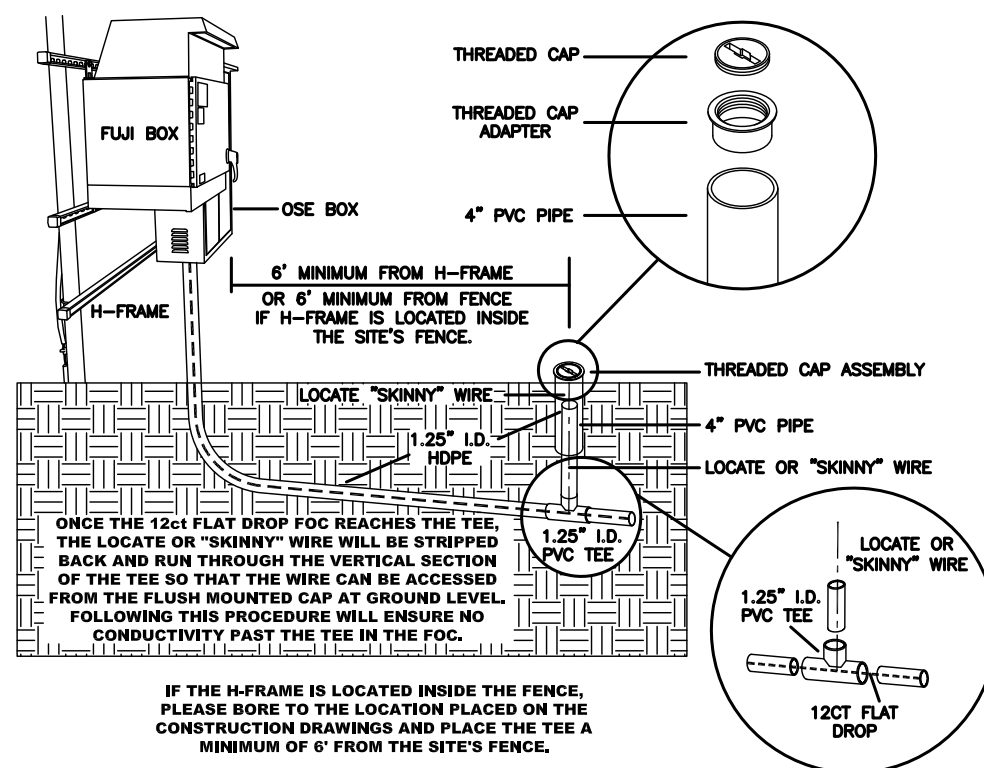
DIELECTRIC TEST STATION (DTS) TYPICALS



FLUSH MOUNTED WATER BOX INSTALLATION OPTION TWO



THREADED PVC FLUSH MOUNTED ACCESS CAP OPTION THREE



FILE NAME T-08

PROJECT CITY -

FULL FILENAME
T-08.dwg

DATE DESCRIPTION
CONSTRUCTION

SHEET DRAWN BY
8 BBG

SCALE PAGE
8

REVISIONS

REV.	DESCRIPTION	INITIALS	DATE

MATERIAL LIST

ITEM	DESCRIPTION	QUANTITY
1	TOTAL CABLE FT.	0'
2	DIR-BORE CABLE	0'
3	PULL CABLE	0'
4	BURIED SLACK	0'
5	1.25" HDPE	0'
6	5" HDPE CASING	0'
7	HANDHOLES	0
8	MANHOLES	0
9	SPLICE CLOSURE	0
10	H-POSTS	0
11	GROUND RODS	0
12	AERIAL CABLE	0'
13	RISERS	0
14		

PREPARED BY



PREPARED FOR



MAP NUMBER

8

DISCLAIMER

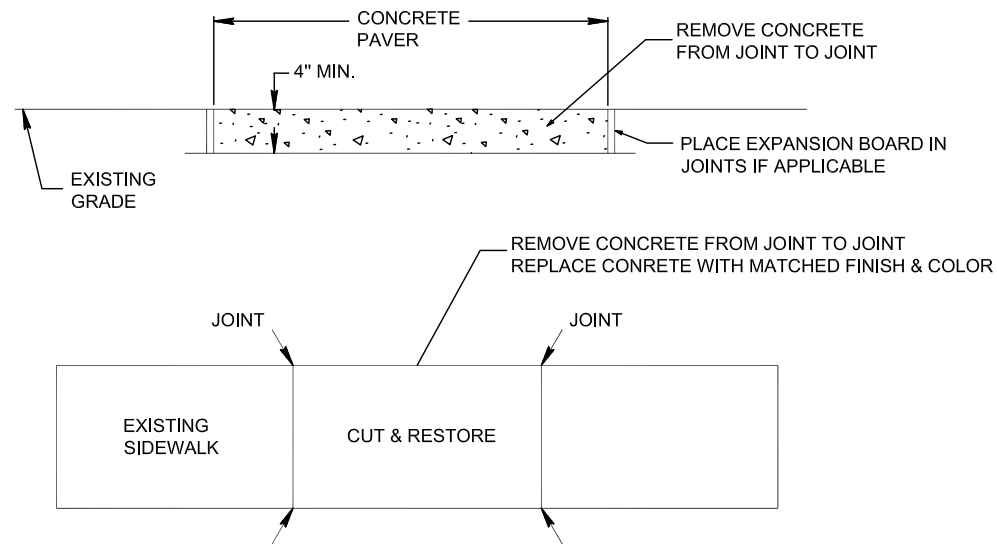
EXCEPT AS MAY BE OTHERWISE PROVIDED BY CONTRACT, THESE DRAWINGS AND SPECIFICATIONS SHALL REMAIN THE PROPERTY OF CSPIRE FIBER. BEING ISSUED IN STRICT CONFIDENCE AND SHALL NOT BE REPRODUCED, COPIED, OR USED FOR ANY PURPOSE WITHOUT SPECIFIC WRITTEN PERMISSION.

NOTIFY ALL UTILITIES 72 HOURS PRIOR TO CONSTRUCTION ACTIVITY.
 ONE CALL SYSTEM © 1-800-227-6477

SIDEWALK CUT & RESTORE TYPICAL DETAIL

SIDEWALK MUST BE ADA COMPLIANT WHERE APPLICABLE

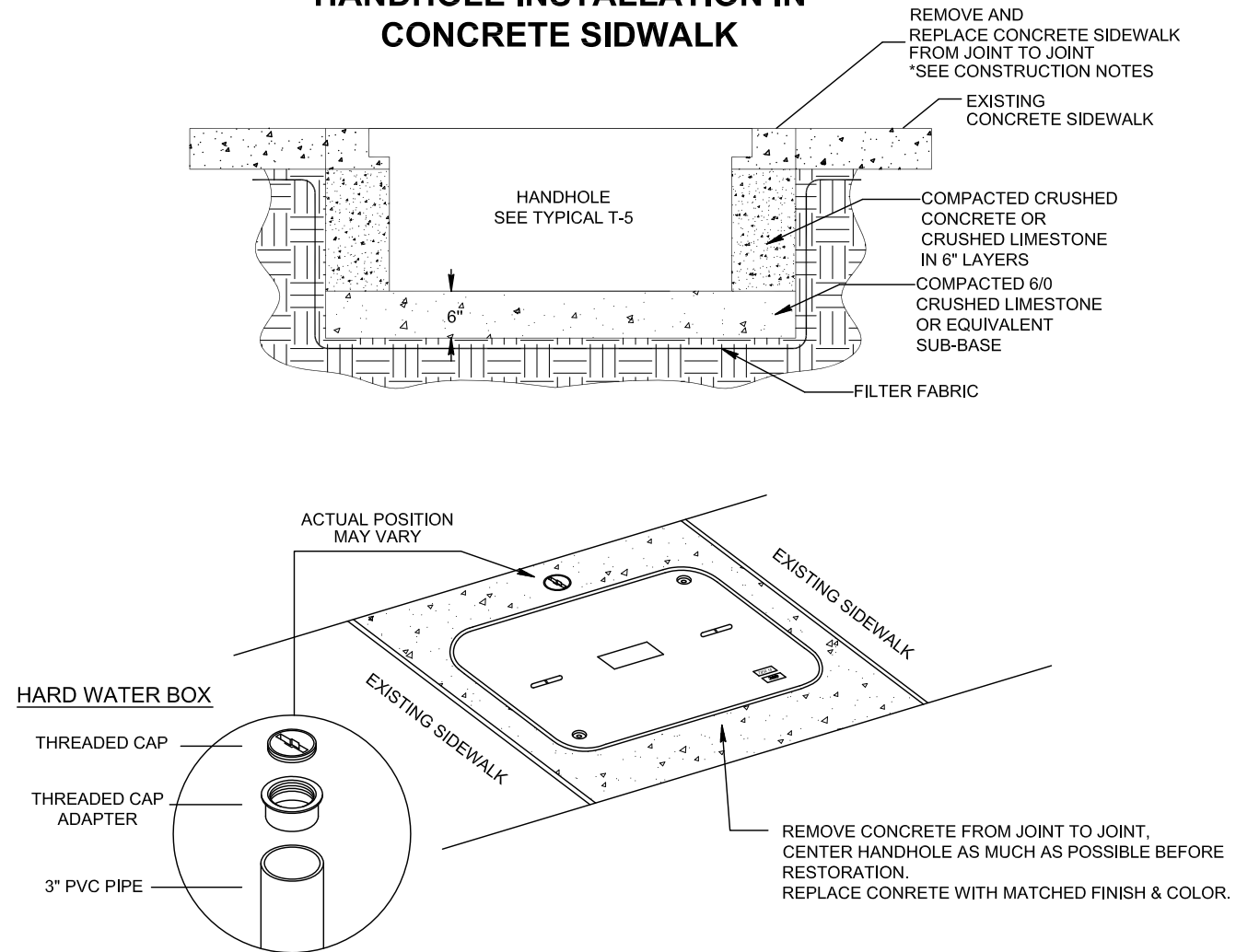
TYPICAL DETAIL "A" CONCRETE CUT & RESTORE REPLACEMENT



CONSTRUCTION NOTES:

1. PROVIDE BARRIERS AND TRAFFIC CONTROL PER MUTCD REV.3 OR NEWER.
2. CUT & RESTORE AREAS SHALL BE RETURNED TO ORIGINAL, OR BETTER CONDITION.
3. SIDEWALKS THAT HAVE EXPANSION BOARD IN USE IN ADJACENT AREAS SHALL BE RESTORED WITH EXPANSION BOARD.
4. EXPOSED AGGREGATE FINISHED SIDEWALKS SHALL BE RESTORED WITH SAME FINISH.
5. ENSURE FINISH IS SLIP RESISTANT.
6. BRICK SIDEWALKS SHALL BE RESTORED TO THE SAME FINISH.
7. ENSURE FLUSH MOUNT TEST STATIONS DO NOT PRESENT A TRIP HAZARD.
8. COVER CONCRETE FOR A MINIMUM OF 12 HOURS PRIOR TO REMOVING PEDESTRIAN BARRIERS.
9. RESTORATION AREA MUST BE RESTORED TO AN OPERATIONAL SIDEWALK PRIOR TO CLOSING ANY CONSTRUCTION PERMITS.

TYPICAL DETAIL "B" HANDHOLE INSTALLATION IN CONCRETE SIDEWALK



AT EVERY HANDHOLE LOCATION WITH TEST WIRE IN A SIDEWALK, IF APPLICABLE, INSTALL A FLUSH MOUNT HARD WATER BOX. RESTORE CONCRETE TO ORIGINAL FINISH & COLOR



FILE NAME	T-09
PROJECT CITY	-
FULL FILENAME	T-09.dwg
DATE	CONSTRUCTION
SHEET	DRAWN BY BBG
SCALE	PAGE 9

REVISIONS			
REV.	DESCRIPTION	INITIALS	DATE

MATERIAL LIST		
ITEM	DESCRIPTION	QUANTITY
1	TOTAL CABLE FT.	0'
2	DIR-BORE CABLE	0'
3	PULL CABLE	0'
4	BURIED SLACK	0'
5	1.25" HDPE	0'
6	5" HDPE CASING	0'
7	HANDHOLES	0
8	MANHOLES	0
9	SPLICE CLOSURE	0
10	H-POSTS	0
11	GROUND RODS	0
12	AERIAL CABLE	0'
13	RISERS	0
14		

PREPARED BY

PREPARED FOR

MAP NUMBER	9
------------	---

DISCLAIMER
EXCEPT AS MAY BE OTHERWISE PROVIDED BY CONTRACT, THESE DRAWINGS AND SPECIFICATIONS SHALL REMAIN THE PROPERTY OF CSPIRE FIBER. BEING ISSUED IN STRICT CONFIDENCE AND SHALL NOT BE REPRODUCED, COPIED, OR USED FOR ANY PURPOSE WITHOUT SPECIFIC WRITTEN PERMISSION.

NOTIFY ALL UTILITIES 72 HOURS PRIOR TO CONSTRUCTION ACTIVITY.
ONE CALL SYSTEM © 1-800-227-6477

MADISON, MS
MADISON COUNTY



FILE NAME: SOMETAXX0004.dwg

PROJECT CITY: MADISON

DATE 8/3/21 DESCRIPTION Construction

SHEET 001 SCALE 1"=50'

REVISIONS

REV.	DESCRIPTION	INITIALS	DATE

MATERIAL LIST

ITEM	DESCRIPTION	QUANTITY
1	TOTAL CABLE FT.	331'
2	DIR-BORE CABLE	281'
3	PULL CABLE	0'
4	BURIED SLACK	50'
5	1.25" HDPE	562'
6	5" HDPE CASING	0'
7	HANDHOLES	1
8	MANHOLES	0
9	SPLICE CLOSURE	0
10	H-POSTS	0
11	GROUND RODS	0
12	AERIAL CABLE	0
13	RISERS	0
14		

PREPARED BY



43 Town Center Square, Suite 203
Hattiesburg, MS 39402
Office phone: (601) 402-9149
Email: designservices@bbgeomatics.com

PREPARED FOR

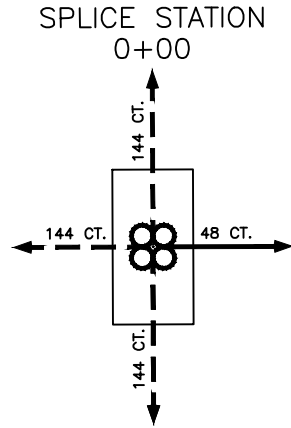


MAP NUMBER

001	002

DISCLAIMER

EXCEPT AS MAY BE OTHERWISE PROVIDED BY CONTRACT, THESE DRAWINGS AND SPECIFICATIONS SHALL REMAIN THE PROPERTY OF CSPIRE FIBER. BEING ISSUED IN STRICT CONFIDENCE AND SHALL NOT BE REPRODUCED, COPIED, OR USED FOR ANY PURPOSE WITHOUT SPECIFIC WRITTEN PERMISSION.



0+00
PLACE 50' SLACK COIL
OF 48 CT F.O.C.

0+00-2+81
DIRECTIONAL BORE 281'
48" MINIMUM DEPTH
(2) 1.25" HDPE
PULL CABLE 281'
(1) 48 CT. F.O.C.

SEE SHEET 002 TO MATCH SURVEY STA. 02+81



FILE NAME: SOMTAXX0004.dwg

PROJECT CITY: MADISON

DATE: 8/3/21
DESCRIPTION: Construction

SHEET: 002
SCALE: 1"=50'

REVISIONS

REV.	DESCRIPTION	INITIALS	DATE

MATERIAL LIST

ITEM	DESCRIPTION	QUANTITY
1	TOTAL CABLE FT.	814'
2	DIR-BORE CABLE	614'
3	PULL CABLE	0'
4	BURIED SLACK	200'
5	1.25" HDPE	1228'
6	5" HDPE CASING	0'
7	HANDHOLES	2
8	MANHOLES	0
9	SPLICE CLOSURE	1
10	H-POSTS	0
11	GROUND RODS	1
12	AERIAL CABLE	0
13	RISERS	0
14		

PREPARED BY



43 Town Center Square, Suite 203
Hattiesburg, MS 39402
Office phone: (601) 402-9149
Email: designservices@bbgeomatics.com

PREPARED FOR



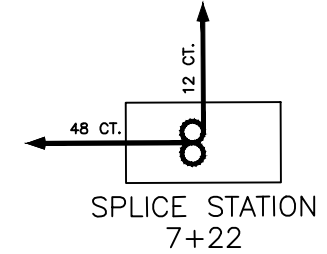
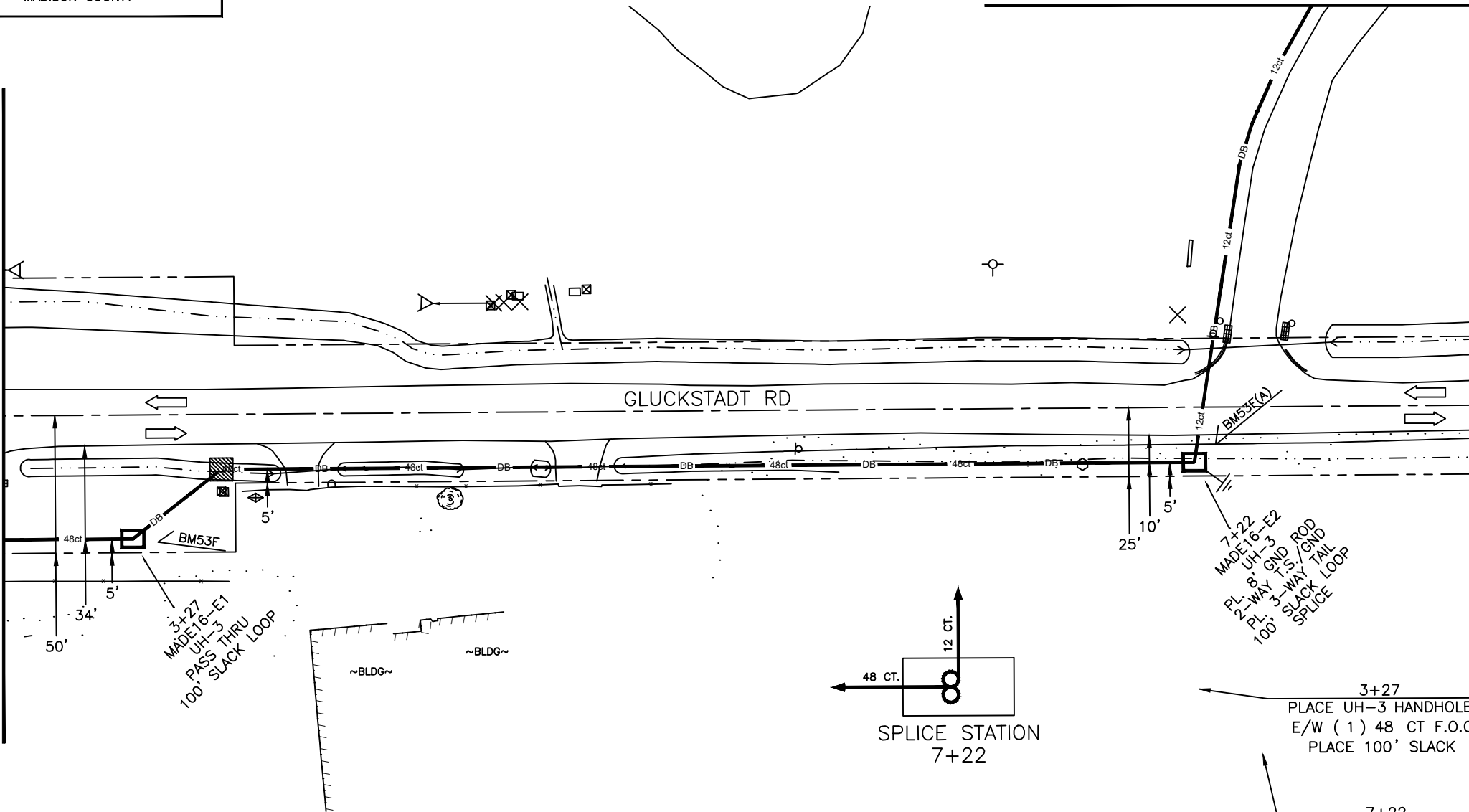
MAP NUMBER

003	
001	002

DISCLAIMER

EXCEPT AS MAY BE OTHERWISE PROVIDED BY CONTRACT, THESE DRAWINGS AND SPECIFICATIONS SHALL REMAIN THE PROPERTY OF CSPIRE FIBER. BEING ISSUED IN STRICT CONFIDENCE AND SHALL NOT BE REPRODUCED, COPIED, OR USED FOR ANY PURPOSE WITHOUT SPECIFIC WRITTEN PERMISSION.

SEE SHEET 001 TO MATCH SURVEY STA. 02+81



- 3+27 PROP.TNI HH 0'0/C
- 3+68 UTIL PEDESTAL 7'0/C
- 3+68 PROP. BORE PIT 0'0/C
- 3+69 UTIL PEDESTAL 6'0/C
- 3+81 GAS-METER 10'0/C
- 3+87 CULVERT 2'0/C
- 4+08 STR MAILBOX 6'0/C
- 4+12 CULVERT 6'0/C
- 4+51 VEG-TREE CULVERT 1'0/C
- 4+55 CULVERT 1'0/C
- 4+81 CULVERT 0'0/C
- 4+87 CULVERT 0'0/C
- 5+13 CULVERT 0'0/C
- 5+78 STR SIGN 6'0/C
- 6+81 STR LIGHT 0'0/C

- 7+22 PROP.TNI HH 0'0/C
- 8+46 CABLE PI 0'0/C
- 7+22 PLACE UH-3 HANDHOLE E/W (1) 48 CT F.O.C. PLACE 100' SLACK
- 7+22 PLACE UH-3 HANDHOLE E/W (1) 48 CT F.O.C. PLACE 50' SLACK PLACE 8' GND. ROD
- 7+22 PLACE 50' SLACK COIL OF 12 CT F.O.C.
- 2+81-7+22 DIRECTIONAL BORE 441' 48" MINIMUM DEPTH (2) 1.25" HDPE PULL CABLE 441' (1) 48 CT. F.O.C.
- 7+22-8+95 DIRECTIONAL BORE 173' 48" MINIMUM DEPTH (2) 1.25" HDPE PULL CABLE 173' (1) 12 CT. F.O.C.

MADISON, MS
MADISON COUNTY



FILE NAME: SOMTAXX0004.dwg

PROJECT CITY: MADISON

DATE 8/3/21 DESCRIPTION Construction

SHEET 003 SCALE 1"=50'

REVISIONS

REV.	DESCRIPTION	INITIALS	DATE

MATERIAL LIST

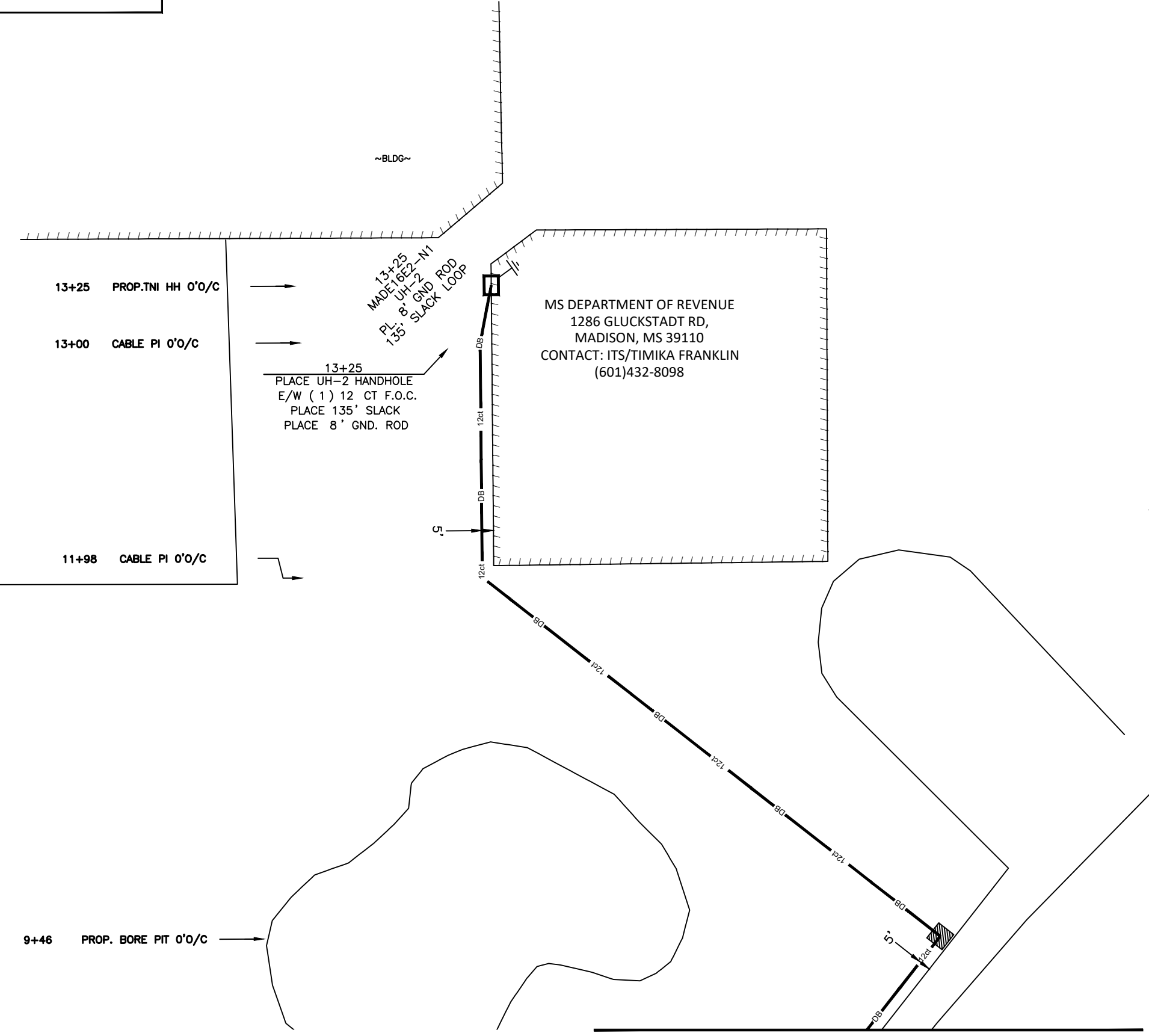
ITEM	DESCRIPTION	QUANTITY
1	TOTAL CABLE FT.	565'
2	DIR-BORE CABLE	430'
3	PULL CABLE	0'
4	BURIED SLACK	50'
5	1.25" HDPE	860'
6	5" HDPE CASING	0'
7	HANDHOLES	1
8	MANHOLES	0
9	SPLICE CLOSURE	0
10	H-POSTS	0
11	GROUND RODS	1
12	AERIAL CABLE	0
13	RISERS	0
14		

PREPARED BY
BBG
43 Town Center Square, Suite 203
Hattiesburg, MS 39402
Office phone: (601) 402-9149
Email: designservices@bbgeomatrics.com



MAP NUMBER
003
002

DISCLAIMER
EXCEPT AS MAY BE OTHERWISE PROVIDED BY CONTRACT: THESE DRAWINGS AND SPECIFICATIONS SHALL REMAIN THE PROPERTY OF CSPIRE FIBER. BEING ISSUED IN STRICT CONFIDENCE AND SHALL NOT BE REPRODUCED, COPIED, OR USED FOR ANY PURPOSE WITHOUT SPECIFIC WRITTEN PERMISSION.



@ 13+25 PLACE 2" DUCT FROM UH-2 OVER TO WALL. MAKE SURE CONDUIT IS FLUSH WITH WALL.

8+95-13+25
DIRECTIONAL BORE 430'
48" MINIMUM DEPTH
(2) 1.25" HDPE
PULL CABLE 430'
(1) 12 CT. F.O.C.

SEE SHEET 002 TO MATCH SURVEY STA. 08+95